
CENTRAL
FLORIDA
EXPRESSWAY
AUTHORITY

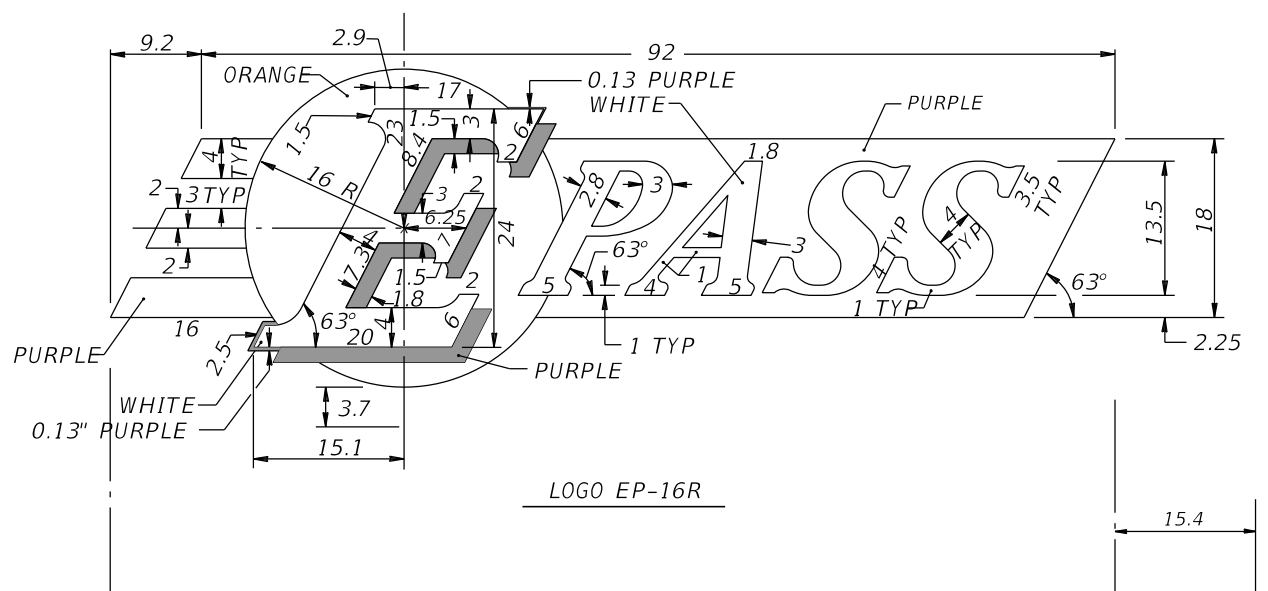
*SIGNING AND PAVEMENT
MARKING DETAILS*

FOR DESIGN AND CONSTRUCTION ON THE CFX SYSTEM

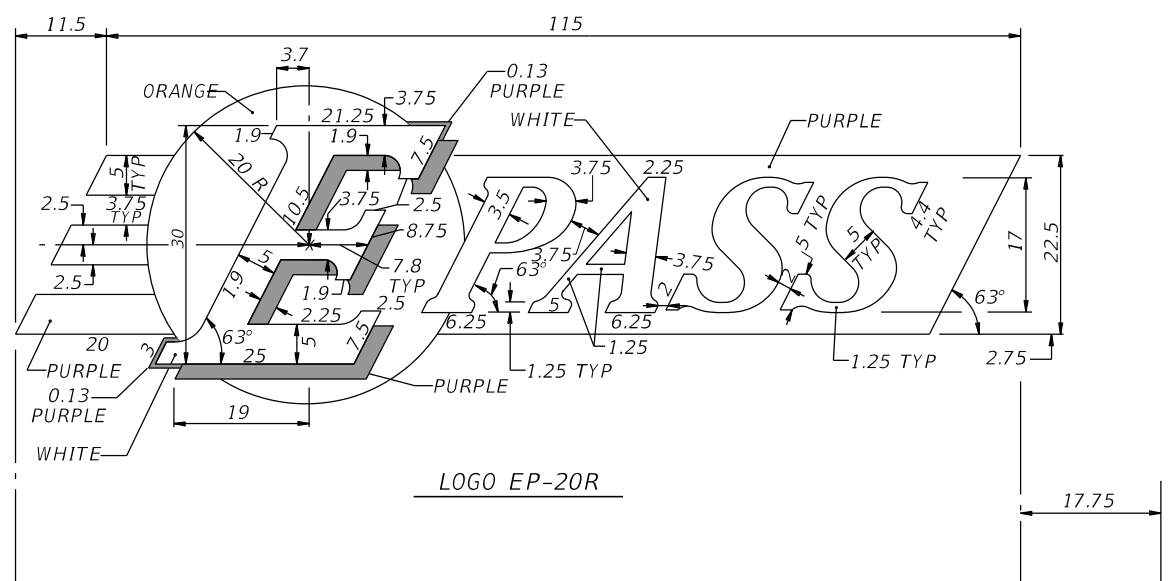
MARCH 2024

CENTRAL FLORIDA EXPRESSWAY AUTHORITY
4974 ORL TOWER RD.
ORLANDO, FL 32807
PHONE NUMBER: (407) 690-5000
FAX NUMBER: (407) 690-5011

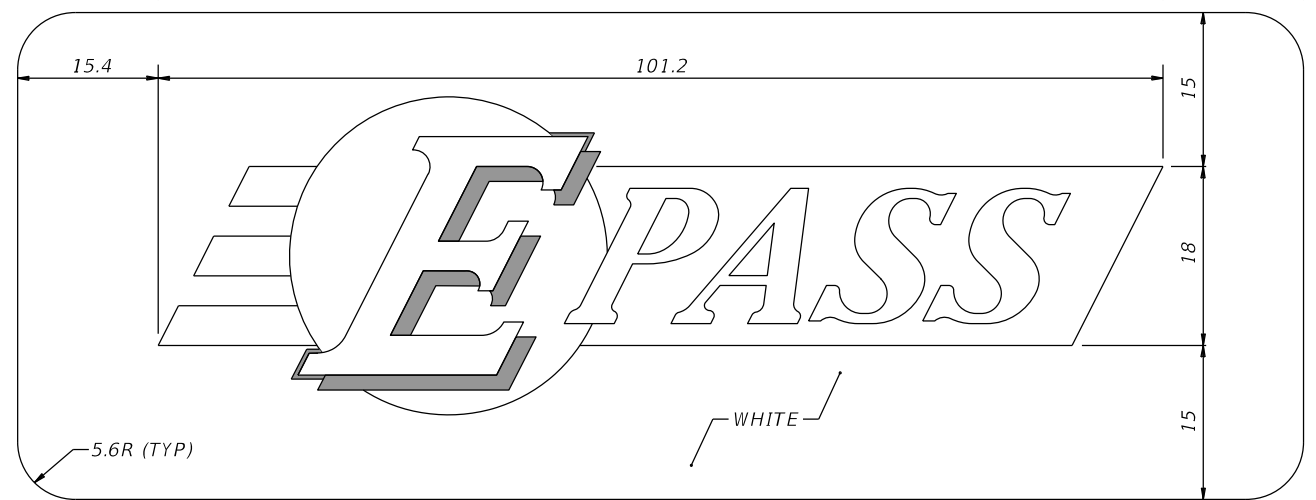
W:\50088189\CFX Design Guidelines\CADD and Details\SPM\A4-08.dgn 3:51:09 PM 2/29/2024 zfincher



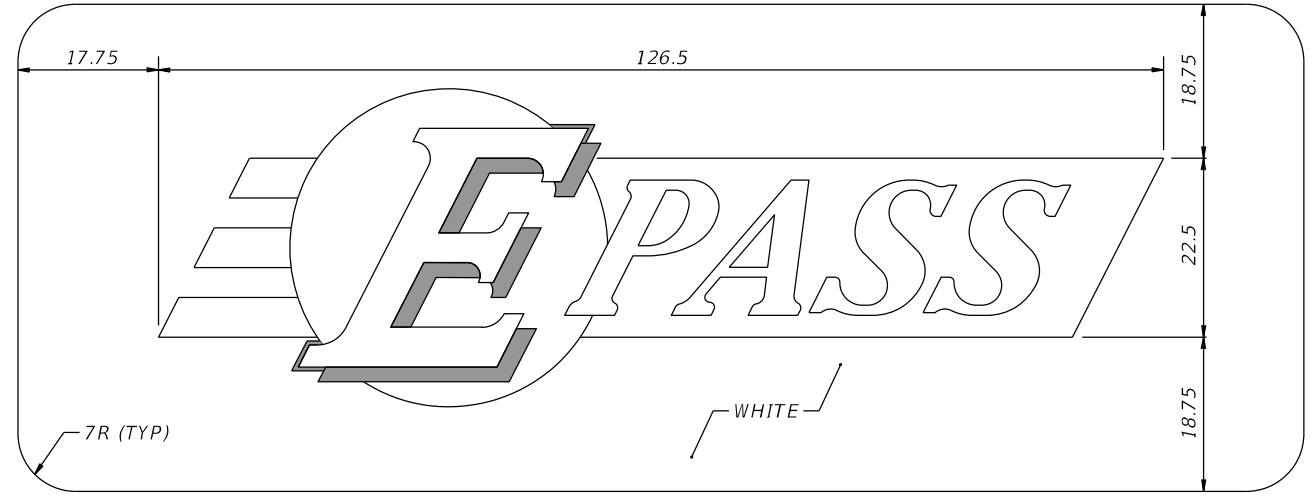
LOGO EP-16R



LOGO EP-20R



LOGO EP-16R (MOD)



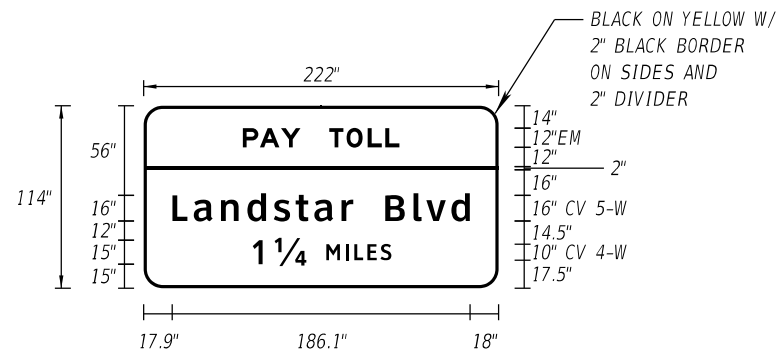
LOGO EP-20R (MOD)

- NOTES TO CONSULTANT:
1. DELETE ALL INFORMATION NOT SPECIFIC TO PROJECT.
 2. NOTES ON SHEET 8 APPLIES TO ALL EPASS LOGOS.
 3. ALL EPASS LOGOS AND NOTES APPLICABLE TO PROJECT SHOULD BE COMBINED ONTO ONE SHEET WHEN POSSIBLE.
 4. DELETE BOX WITH NOTES PRIOR TO INCLUDING SHEET IN PLANS.

REVISIONS				ENGINEER OF RECORD FULL NAME, P.E. P.E. LICENSE NUMBER 99999 ENGINEER OF RECORD COMPANY NAME ENGINEER OF RECORD COMPANY STREET ENGINEER OF RECORD CITY, STATE AND ZIP CERTIFICATE OF AUTHORIZATION 00009999	SIGNING AND PAVEMENT MARKING DETAILS			SHEET NO.
DATE	DESCRIPTION	DATE	DESCRIPTION		ROAD NO.	PROJECT NO.		
							EPASS LOGOS	11

SIGN NUMBER	101
QUANTITY	
WIDTH	18'-6" (222")
HEIGHT	9'-6" (114")
BORDER WIDTH	2"
BORDER RADII	12"
BORDER INSET	N/A
BACKGROUND COLOR	Green/Yellow
LEGEND & BORDER COLOR	White/Black
SHEETING	DG3

MOUNTING: OVERHEAD TRUSS (OT-X)



NOTES:
EACH NUMBER WITHIN A FRACTION SHALL BE 10" CV 4-W GIVING A TOTAL HEIGHT OF 15"
10% EXTRA INTER-LETTER SPACE IS INCLUDED ON PANELS WITH BLACK LEGEND ON YELLOW BORDER

COPY		P	A	Y		T	O	L	L												L	
SPACE	62	36.1			18	43.9				62											98	
COPY		L	a	n	d	s	t	a	r		B	l	v	d							L	
SPACE	17.9	113.2								20	52.9				18					186.1		
COPY		1		1/4		M	I	L	E	S											L	
SPACE	67.5	6.3	7.5	20	12.5	40.7				67.5											87	
COPY																						
SPACE																						
COPY																						
SPACE																						

USE: MAINLINE OVERHEAD SIGNS

EXAMPLES:
ADVANCED GUIDE SIGNS FOR TOLLED AND NON-TOLLED EXITS
INTERCHANGE SEQUENCE SIGN

INSTRUCTIONS TO DESIGNERS:

FRACTION SPACING:
WHOLE NUMBER TO FRACTION = 7.5
FRACTION TO "MILE" = 12.5
STANDARD WIDTHS OF FRACTIONS:
1/4, 1/2 = 20
3/4 = 22

CENTER COLUMNS ABOUT THE WIDEST NUMERAL AND WIDEST FRACTION IN EACH VERTICAL COLUMN
INCLUDE THE Q CALLOUTS SHOWN ON THE EXAMPLE SHEET

INTER-WORD SPACING:
1.25X LETTER HEIGHT TWO WORDS PER LINE
1.00X LETTER HEIGHT THREE OR MORE WORDS PER LINE
ARROW-TO-WORD SPACING SHOULD BE EQUAL TO INTER-WORD SPACING

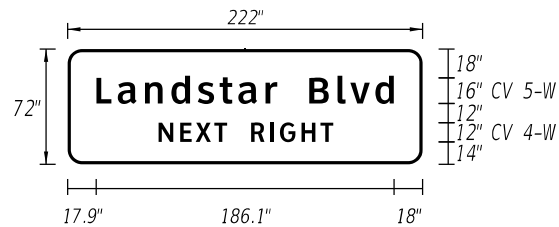
SYMBOL-TO-WORD SPACING:
12" (ADVANCE GUIDE SIGNS)
13.3" (INTERCHANGE SEQUENCE)

STANDARD SHIELD DIMENSIONS (ADVANCE GUIDE SIGNS) W/ 16" DESTINATION TEXT
STATE ROAD (2 OR 3 DIGITS): 48"W X 36"H
COUNTY ROAD (2 DIGITS): 42"W X 42"H (YELLOW RECTANGULAR BACKGROUND)
COUNTY ROAD (3 DIGITS): 48"W X 48"H (YELLOW RECTANGULAR BACKGROUND)

STANDARD SHIELD DIMENSIONS (INTERCHANGE SEQUENCE SIGNS) W/ 13.3" DESTINATION TEXT
STATE ROAD (2 OR 3 DIGITS): 30"W X 24"H
COUNTY ROAD (2 DIGITS): 26"W X 25"H (YELLOW RECTANGULAR BACKGROUND)
COUNTY ROAD (3 DIGITS): 34"W X 33"H (YELLOW RECTANGULAR BACKGROUND)

SIGN NUMBER	102
QUANTITY	
WIDTH	18'-6" (222")
HEIGHT	6'-0" (72")
BORDER WIDTH	2"
BORDER RADII	9"
BORDER INSET	N/A
BACKGROUND COLOR	Green
LEGEND & BORDER COLOR	White
SHEETING	DG3

MOUNTING: OVERHEAD CANTILEVER (OC-X)

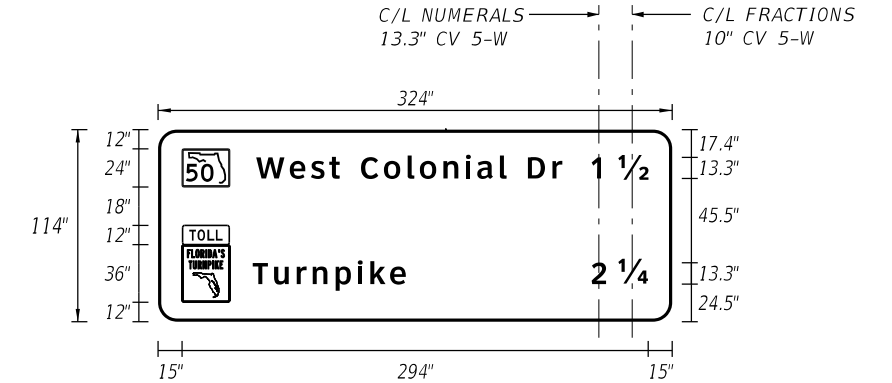


NOTES:

COPY		L	a	n	d	s	t	a	r		B	l	v	d								L
SPACE	17.9	113.2								20	52.9				18					186.1		
COPY		N	E	X	T		R	I	G	H	T											L
SPACE	62	36.1			18	43.9				62											98	
COPY																						L
SPACE																						
COPY																						
SPACE																						

SIGN NUMBER	103
QUANTITY	
WIDTH	27'-0" (324")
HEIGHT	9'-6" (114")
BORDER WIDTH	2"
BORDER RADII	9"
BORDER INSET	N/A
BACKGROUND COLOR	Green
LEGEND & BORDER COLOR	White
SHEETING	DG3

MOUNTING: OVERHEAD TRUSS (OT-X)



NOTES:
FABRICATOR SHALL ADJUST SPACING SUCH THAT NUMERALS AND FRACTIONS ARE VERTICALLY CENTERED ABOUT THE WIDEST IN EACH COLUMN. CENTERLINES ARE NOT PART OF THE SIGN FACE.

COPY		50	W	e	s	t	C	o	l	o	n	i	a	l	D	r						
SPACE	15	30	19.3	52.2				13.3	91						13.3	21.5	18.4					
COPY	1		1/2																		L	
SPACE	6	9	20	15														294				
COPY		T	u	r	n	p	i	k	e	2		1/4										L
SPACE	15	30	19.3	95.8				112.3	9.2	7.4	20	15									294	
COPY																						
SPACE																						

NOTE: WIDTH - HORIZONTAL SPACING DIMENSIONS ARE IN INCHES.

NOTE: END DIMENSIONS INCLUDE BORDER WIDTH, MARGIN AND BORDER RECESS.

REVISIONS			
DATE	DESCRIPTION	DATE	DESCRIPTION

ENGINEER OF RECORD FULL NAME, P.E.
P.E. LICENSE NUMBER 99999
ENGINEER OF RECORD COMPANY NAME
ENGINEER OF RECORD COMPANY STREET
ENGINEER OF RECORD CITY, STATE AND ZIP
CERTIFICATE OF AUTHORIZATION 00009999

SIGNING AND PAVEMENT MARKING DETAILS	
ROAD NO.	PROJECT NO.

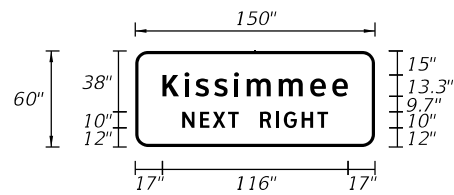
CENTRAL FLORIDA EXPRESSWAY AUTHORITY

GUIDE SIGN WORKSHEET
SIGNS 101 - 103

SHEET NO.
13

SIGN NUMBER	110
QUANTITY	
WIDTH	12'-6" (150")
HEIGHT	5'-0" (60")
BORDER WIDTH	2"
BORDER RADII	8"
BORDER INSET	N/A
BACKGROUND COLOR	Green
LEGEND & BORDER COLOR	White
SHEETING	DG3

MOUNTING: GROUND MOUNT (GM-X)



NOTES:

COPY		K	i	s	s	i	m	m	e	e									L		
SPACE	17																		116	17	116
COPY		N	E	X	T		R	I	G	H	T										L
SPACE	29.4																				91.1
COPY																					
SPACE																					
COPY																					
SPACE																					
COPY																					
SPACE																					

USE: MAINLINE SIGNS

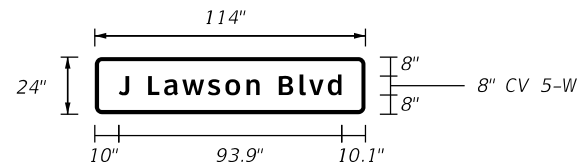
EXAMPLES:
SUPPLEMENTAL GUIDE SIGN
CROSSROAD STREET NAME SIGN
EXIT NUMBER PLAQUE / AUXILIARY PANEL

INSTRUCTIONS TO DESIGNERS CONTINUED:

EXIT NUMBER PLAQUE / AUXILIARY PANEL:
THE SUFFIX LETTER, WHEN NECESSARY, SHALL BE SEPARATED FROM THE EXIT NUMBER BY ONE HALF (1/2) OF THE SUFFIX LETTER HEIGHT
THE BORDER WIDTH SHALL MATCH THAT OF THE MAIN PANEL TO WHICH IT IS ATTACHED

SIGN NUMBER	111
QUANTITY	
WIDTH	9'-6" (114")
HEIGHT	2'-0" (24")
BORDER WIDTH	1"
BORDER RADII	3"
BORDER INSET	N/A
BACKGROUND COLOR	Green
LEGEND & BORDER COLOR	White
SHEETING	DG3

MOUNTING: GROUND MOUNT (GM-X)



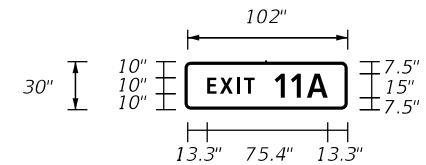
NOTES:
1. FOR USE IF THERE IS NO INTERCHANGE ASSOCIATED WITH THE ROADWAY, IN THE DIRECTION OF TRAVEL.

COPY		J		L	a	w	s	o	n		B	l	v	d						L	
SPACE	10	4.5	8																		93.9
COPY																					
SPACE																					
COPY																					
SPACE																					
COPY																					
SPACE																					

NOTE: WIDTH - HORIZONTAL SPACING DIMENSIONS ARE IN INCHES.

SIGN NUMBER	112
QUANTITY	
WIDTH	8'-6" (102")
HEIGHT	2'-6" (30")
BORDER WIDTH	2"
BORDER RADII	4"
BORDER INSET	N/A
BACKGROUND COLOR	Green
LEGEND & BORDER COLOR	White
SHEETING	DG3

MOUNTING: OVERHEAD TRUSS (OT-X)



NOTES:

COPY		E	X	I	T		I	I	A											L	
SPACE	13.3																				75.4
COPY																					
SPACE																					
COPY																					
SPACE																					
COPY																					
SPACE																					

NOTE: END DIMENSIONS INCLUDE BORDER WIDTH, MARGIN AND BORDER RECESS.

REVISIONS			
DATE	DESCRIPTION	DATE	DESCRIPTION

ENGINEER OF RECORD FULL NAME, P.E.
P.E. LICENSE NUMBER 99999
ENGINEER OF RECORD COMPANY NAME
ENGINEER OF RECORD COMPANY STREET
ENGINEER OF RECORD CITY, STATE AND ZIP
CERTIFICATE OF AUTHORIZATION 00009999

SIGNING AND PAVEMENT MARKING DETAILS	
ROAD NO.	PROJECT NO.



GUIDE SIGN WORKSHEET
SIGNS 110 - 112

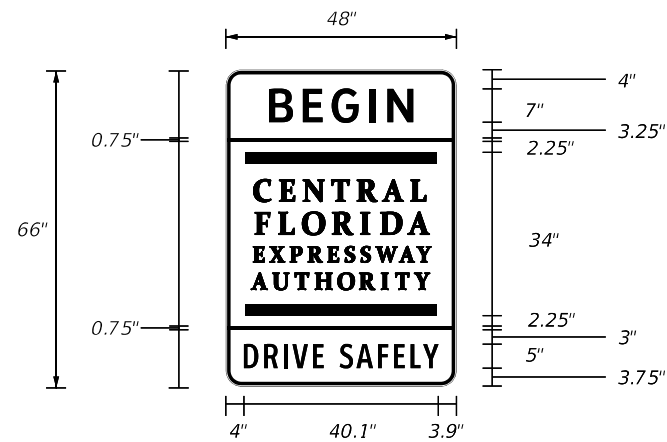
SHEET NO.
17

W:\50088189\CFX Design Guidelines\CADD and Details\SPM\A2-04.dgn 3:51:12 PM 2/29/2024 zfincher

SIGN NUMBER	113
QUANTITY	
WIDTH	4'-0" (48")
HEIGHT	5'-6" (66")
BORDER WIDTH	0.75"
BORDER RADII	3"
BORDER INSET	0.25"
BACKGROUND COLOR	White
LEGEND & BORDER COLOR	Black
SHEETING	DG3

NOTES:
SEE CFX LOGO L-2, THIS SHEET

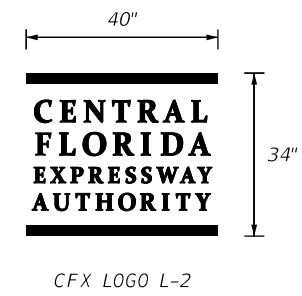
MOUNTING: GROUND MOUNT (GM-X)



COPY		B	E	G	I	N														L
SPACE	11.4			25.2			11.4													25.2
COPY																				L
SPACE	4	40	4																	40
COPY		D	R	I	V	E		S	A	F	E	L	Y						L	
SPACE	4			15.2			5			19.9				3.9					40.1	
COPY																				
SPACE																				
COPY																				
SPACE																				

USE: MAINLINE GROUND MOUNT SIGNS

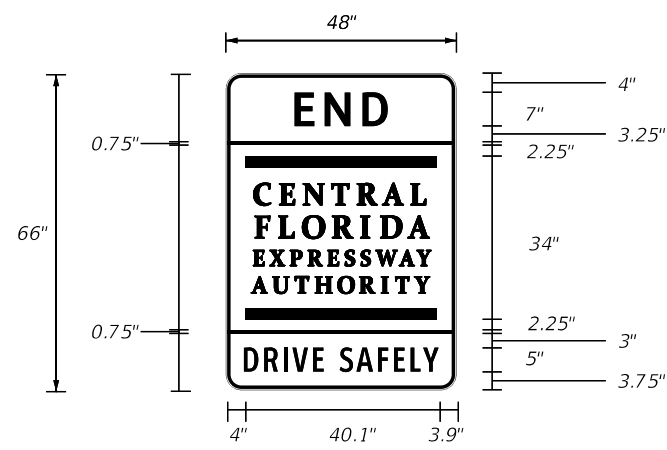
EXAMPLES:
BEGIN CFX SYSTEM SIGN
END CFX SYSTEM SIGN



SIGN NUMBER	114
QUANTITY	
WIDTH	4'-0" (48")
HEIGHT	5'-6" (66")
BORDER WIDTH	0.75"
BORDER RADII	3"
BORDER INSET	0.25"
BACKGROUND COLOR	White
LEGEND & BORDER COLOR	Black
SHEETING	DG3

NOTES:
SEE CFX LOGO L-2, THIS SHEET

MOUNTING: GROUND MOUNT (GM-X)



COPY		E	N	D																L
SPACE	15.7			16.7			15.6													16.7
COPY																				L
SPACE	4	40	4																	40
COPY		D	R	I	V	E		S	A	F	E	L	Y						L	
SPACE	4			15.2			5			19.9				3.9					40.1	
COPY																				
SPACE																				

NOTE: WIDTH - HORIZONTAL SPACING DIMENSIONS ARE IN INCHES.

SIGN NUMBER	
QUANTITY	
WIDTH	
HEIGHT	
BORDER WIDTH	
BORDER RADII	
BORDER INSET	
BACKGROUND COLOR	
LEGEND & BORDER COLOR	
SHEETING	

NOTES:

INTENTIONALLY LEFT BLANK

COPY																					
SPACE																					
COPY																					
SPACE																					
COPY																					
SPACE																					
COPY																					
SPACE																					

NOTE: END DIMENSIONS INCLUDE BORDER WIDTH, MARGIN AND BORDER RECESS.

REVISIONS			
DATE	DESCRIPTION	DATE	DESCRIPTION

ENGINEER OF RECORD FULL NAME, P.E.
P.E. LICENSE NUMBER 99999
ENGINEER OF RECORD COMPANY NAME
ENGINEER OF RECORD COMPANY STREET
ENGINEER OF RECORD CITY, STATE AND ZIP
CERTIFICATE OF AUTHORIZATION 00009999

SIGNING AND PAVEMENT MARKING DETAILS	
ROAD NO.	PROJECT NO.



GUIDE SIGN WORKSHEET
SIGNS 113, 114

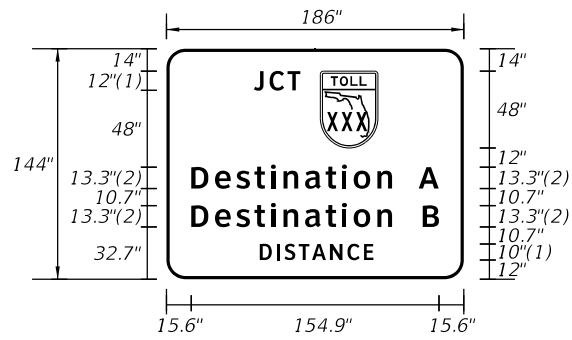
SHEET NO.
18

2/29/2024 3:51:12 PM W:\50088189\CFX Design Guidelines\CADD and Details\SPM\A2-05.dgn zfincher

SIGN NUMBER	115
QUANTITY	
WIDTH	15'-6" (186")
HEIGHT	12'-0" (144")
BORDER WIDTH	2"
BORDER RADII	10"
BORDER INSET	N/A
BACKGROUND COLOR	Green
LEGEND & BORDER COLOR	White
SHEETING	DG3

NOTES:

MOUNTING: OVERHEAD CANTILEVER (OC-X)



FONT:
(1) ClearviewHwy-4-W
(2) ClearviewHwy-5-W

USE: OVERHEAD SIGNS

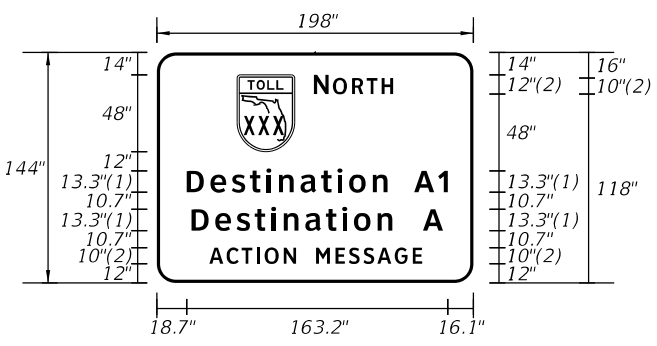
EXAMPLES:
CROSSROADS GUIDE SIGNS
EXPRESSWAY ENDS SIGN

COPY		J	C	T																	L
SPACE	54.3				29.1				12.4	36		54.2									77.5
COPY		D	E	S	T	I	N	A	T	I	O	N				A					L
SPACE	15.6															125.6		16.7	12.5	15.6	154.8
COPY		D	E	S	T	I	N	A	T	I	O	N				B					L
SPACE	15.6															125.6		19.1	10.1	15.6	154.8
COPY		D	I	S	T	A	N	C	E												L
SPACE	57.5															71					71
COPY																					
SPACE																					

SIGN NUMBER	116
QUANTITY	
WIDTH	16'-6" (198")
HEIGHT	12'-0" (144")
BORDER WIDTH	2"
BORDER RADII	10"
BORDER INSET	N/A
BACKGROUND COLOR	Green
LEGEND & BORDER COLOR	White
SHEETING	DG3

NOTES:

MOUNTING: OVERHEAD CANTILEVER (OC-X)

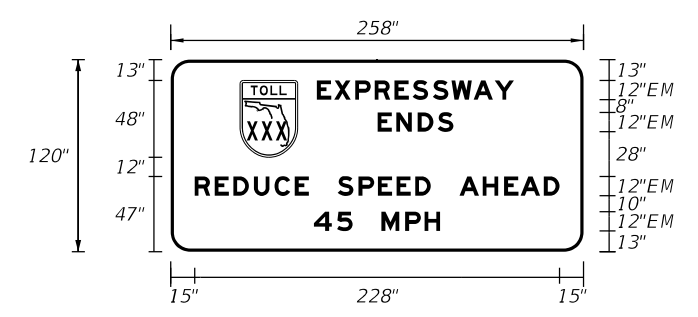


FONT:
(1) ClearviewHwy-5-W
(2) ClearviewHwy-4-W

SIGN NUMBER	117
QUANTITY	
WIDTH	21'-6" (258")
HEIGHT	10'-0" (120")
BORDER WIDTH	2"
BORDER RADII	12"
BORDER INSET	N/A
BACKGROUND COLOR	Yellow
LEGEND & BORDER COLOR	Black
SHEETING	DG3

NOTES:
10% EXTRA INTER-LETTER SPACE IS INCLUDED ON PANELS WITH BLACK LEGEND ON YELLOW BORDER

MOUNTING: OVERHEAD CANTILEVER (OC-X)



COPY					N	O	R	T	H												L	
SPACE	49.7	36	12							50.5										49.8	98.5	
COPY		D	E	S	T	I	N	A	T	I	O	N				A	I				L	
SPACE	18.7									125.6					16.6	21	16.1				163.2	
COPY		D	E	S	T	I	N	A	T	I	O	N				A					L	
SPACE	20.4									125.6					19.2	12.5	20.3				157.3	
COPY		A	C	T	I	O	N								M	E	S	S	A	G	E	L
SPACE	32.5									54.3					12.5					66.3	32.4	133.1

NOTE: WIDTH - HORIZONTAL SPACING DIMENSIONS ARE IN INCHES.

COPY					E	X	P	R	E	S	S	W	A	Y							L			
SPACE	43.4	36	12												123.2						43.4	171.2		
COPY		E	N	D	S																	L		
SPACE	129.4														47.3	81.3						47.3		
COPY		R	E	D	U	C	E				S	P	E	E	D		A	H	E	A	D	L		
SPACE	15										71.4				18	58.1					18	62.5	15	228
COPY		4	5				M	P	H														L	
SPACE	89.6									24.2	18				36.7	89.5							78.9	

NOTE: END DIMENSIONS INCLUDE BORDER WIDTH, MARGIN AND BORDER RECESS.

W:\50088189\CFX Design Guidelines\CADD and Details\SPM\A2-03.dgn 3:51:13 PM 2/29/2024 zfincher

REVISIONS			
DATE	DESCRIPTION	DATE	DESCRIPTION

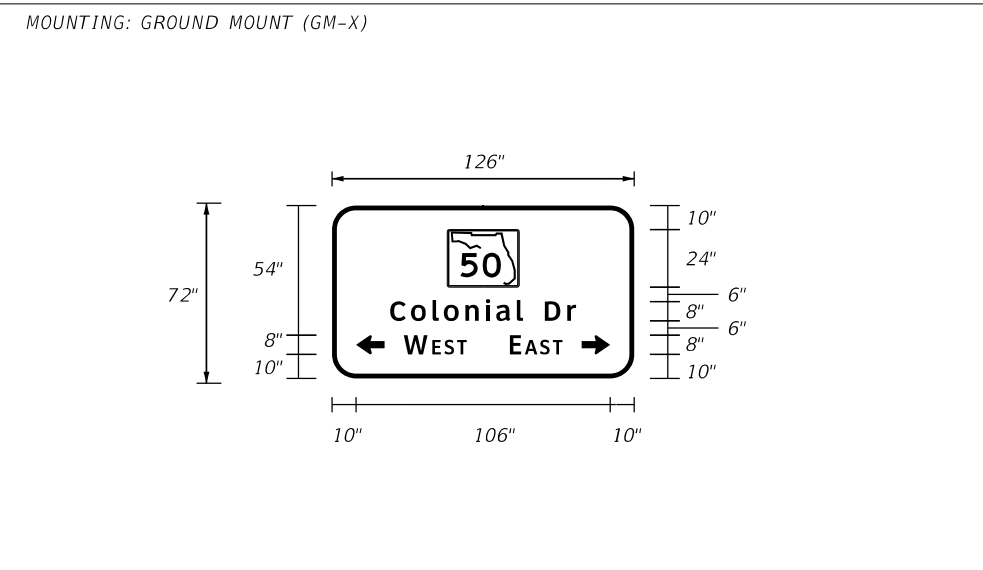
ENGINEER OF RECORD FULL NAME, P.E.
P.E. LICENSE NUMBER 99999
ENGINEER OF RECORD COMPANY NAME
ENGINEER OF RECORD COMPANY STREET
ENGINEER OF RECORD CITY, STATE AND ZIP
CERTIFICATE OF AUTHORIZATION 00009999

SIGNING AND PAVEMENT MARKING DETAILS	
ROAD NO.	PROJECT NO.



W:\50088189\CFX Design Guidelines\CADD and Details\SPM\A2-06.dgn 3:59:47 PM 2/29/2024 zfincher

SIGN NUMBER	118
QUANTITY	
WIDTH	10'-6" (126")
HEIGHT	6'-0" (72")
BORDER WIDTH	2"
BORDER RADII	9"
BORDER INSET	N/A
BACKGROUND COLOR	Green
LEGEND & BORDER COLOR	White
SHEETING	DG3



NOTES:
USE 2" BORDER REGARDLESS OF TOTAL PANEL AREA (SF)

USE: RAMP GROUND MOUNT SIGNS

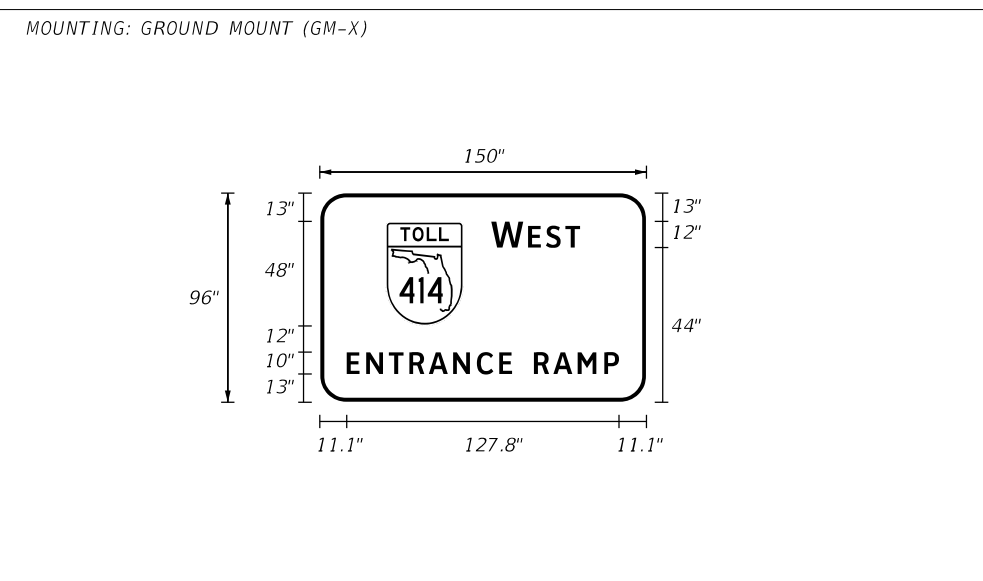
EXAMPLES:
CROSSROAD DIRECTION SIGN
ENTRANCE RAMP SIGN

INSTRUCTIONS TO DESIGNERS CONTINUED:

CROSSROAD DIRECTIONAL SIGN:
STREET NAME SHALL BE 8" CV5W.
THE FIRST LETTER OF CARDINAL DIRECTION SHALL BE 8" CV4W
AND THE REMAINING LETTERS SHALL BE 6" CV4W.
ARROWS SHALL BE 12" x 8".
BORDER SHALL BE 2".

COPY		50																		L
SPACE	48	30	48																	30
COPY		C	o	l	o	n	i	a	l	D	r								L	
SPACE	24.3									10	12.9	24.2							77.5	
COPY		←		W	E	S	T			E	A	S	T						L	
SPACE	10	12	8							25	17.4	23.6	8	12	10				106	
COPY																				
SPACE																				
COPY																				
SPACE																				

SIGN NUMBER	119
QUANTITY	
WIDTH	12'-6" (150")
HEIGHT	8'-0" (96")
BORDER WIDTH	2"
BORDER RADII	9"
BORDER INSET	N/A
BACKGROUND COLOR	Green
LEGEND & BORDER COLOR	White
SHEETING	DG3



NOTES:

SIGN NUMBER

QUANTITY

WIDTH

HEIGHT

BORDER WIDTH

BORDER RADII

BORDER INSET

BACKGROUND COLOR

LEGEND & BORDER COLOR

SHEETING

NOTES:

INTENTIONALLY LEFT BLANK

COPY		414		W	E	S	T												L
SPACE	30.1	36	12							41.9	30								89.9
COPY		E	N	T	R	A	N	C	E	R	A	M	P						L
SPACE	11.1									76.1	12.5	39.2	11.1						127.8
COPY																			
SPACE																			
COPY																			
SPACE																			

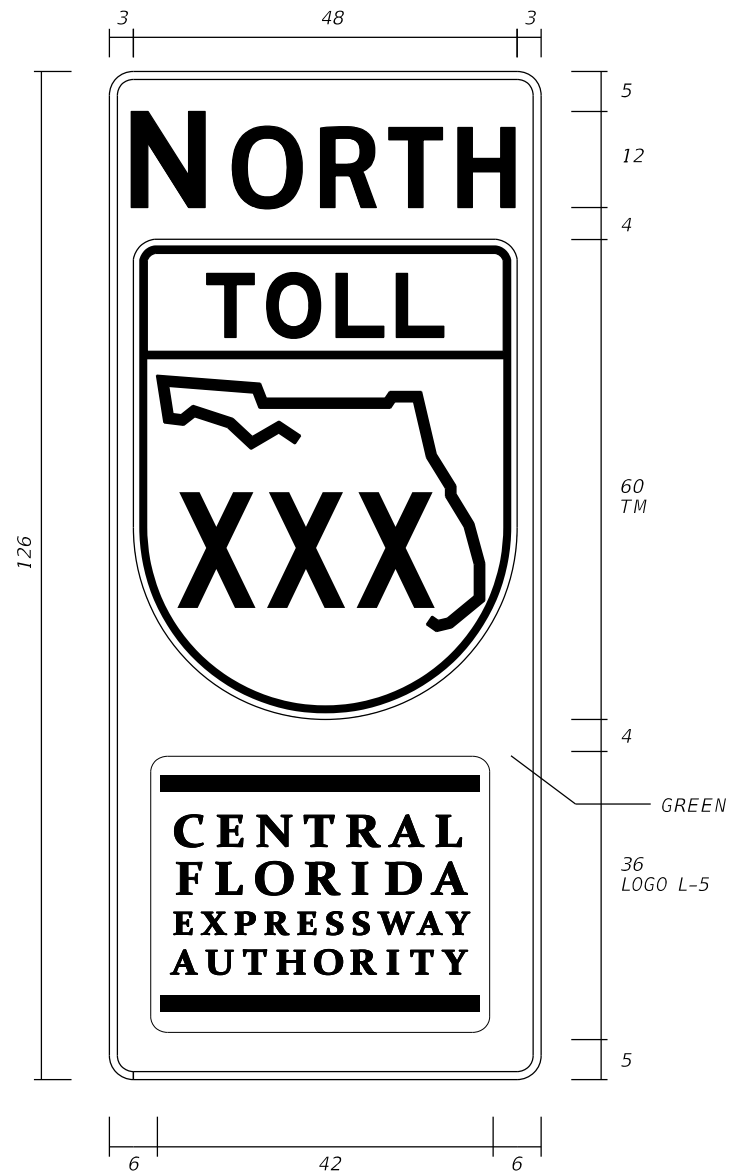
COPY																				
SPACE																				
COPY																				
SPACE																				
COPY																				
SPACE																				

NOTE: WIDTH - HORIZONTAL SPACING DIMENSIONS ARE IN INCHES.

NOTE: END DIMENSIONS INCLUDE BORDER WIDTH, MARGIN AND BORDER RECESS.

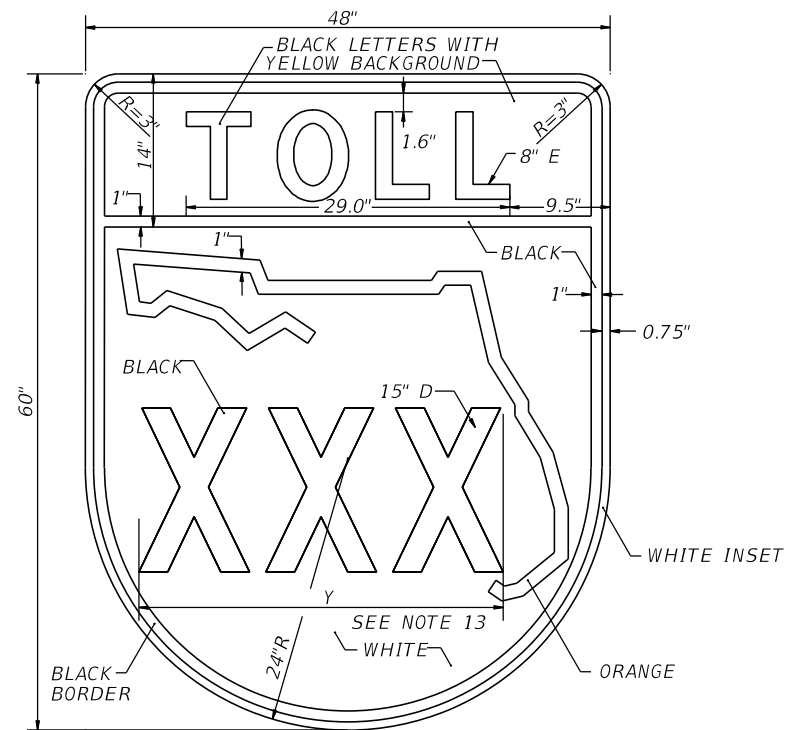
REVISIONS				ENGINEER OF RECORD FULL NAME, P.E. P.E. LICENSE NUMBER 99999 ENGINEER OF RECORD COMPANY NAME ENGINEER OF RECORD COMPANY STREET ENGINEER OF RECORD CITY, STATE AND ZIP CERTIFICATE OF AUTHORIZATION 00009999	SIGNING AND PAVEMENT MARKING DETAILS		CENTRAL FLORIDA EXPRESSWAY AUTHORITY	GUIDE SIGN WORKSHEET SIGNS 118, 119		SHEET NO.
DATE	DESCRIPTION	DATE	DESCRIPTION		ROAD NO.	PROJECT NO.				20

W:\50088189\CFX Design Guidelines\CADD and Details\SPM\A3-02.dgn 4:11:30 PM 2/29/2024 zfincher



COPY SPACING			SIZE/SERIES
	WEST		12/10 CV4W
6.1	41.9	6	
	EAST		12/10 CV4W
9.3	35.4	9.3	
	NORTH		12/10 CV3W
4.0	46	4.0	
	SOUTH		12/10 CV3W
4.5	45	4.5	

- MAIN PANEL:**
 BACKGROUND: GREEN
 BORDER: WHITE
 BORDER WIDTH: 1"
 CORNER RADII: 3"
- CARDINAL DIRECTION: WHITE
- MAKE FIRST LETTER OF CARDINAL DIRECTION 20% LARGER MINIMUM. ALL LETTERS ARE BOTTOM JUSTIFIED.
- TOLL SHIELD TM AND LOGO L-5 SPECIAL COLORS:
 ORANGE: 3M COMPANY EC FILM NO. 1174 OR CFX APPROVED EQUAL.
- LOGO L-5 SHALL BE CENTERED WITHIN A 42"x36" WHITE RECTANGLE. THE WHITE RECTANGLE SHALL BE USED IN VERTICAL AND HORIZONTAL PANEL DIMENSIONING.
- GRAPHIC FILES FOR THE TOLL SHIELD AND LOGO CAN BE PROVIDED FOR USE IN FABRICATION UPON REQUEST.
- FABRICATOR SHALL APPLY AS THE TOP LAYER, 3M COMPANY EC FILM 1170 CLEAR ON THE CFX DESIGNATED ORANGE. INSTALLATION SHALL BE PART OF A 3M MATCHED COMPONENT SYSTEM AND MEET ALL 3M SIGN FABRICATION REQUIREMENTS. CONTACT 3M COMPANY 1-800-553-1380.
- ALL DIMENSIONS ON SHEET ARE IN INCHES.
- IF A COLOR AND/OR SHEETING OTHER THAN THOSE NOTED SPECIFICALLY AS 3M COMPANY PRODUCTS ARE TO BE USED, CONTRACTOR SHALL PROVIDE A 4" X 4" SAMPLE IN ALL COLORS. NO FABRICATION SHALL COMMENCE UNTIL THE SAMPLE HAS BEEN REVIEWED AND WRITTEN ACCEPTANCE RECEIVED FROM CFX.
- ONE REPRESENTATIVE SHOP DRAWING PER CARDINAL DIRECTION MAY BE SUBMITTED PROVIDED THE APPROPRIATE QUANTITY IS SHOWN PER DIRECTION.
- FABRICATOR SHALL USE STATE OUTLINE CONFIGURATION SHOWN IN TOLL SHIELD DETAIL.
- FABRICATOR TO REDUCE CARDINAL DIRECTION COPY SPACING AS NEEDED TO MEET SPECIFIED LENGTHS.
- FABRICATOR SHALL USE STANDARD HORIZONTAL SPACING FOR NUMERALS IN ROUTE SHIELD WHEN POSSIBLE. FABRICATOR SHALL OPTICALLY ADJUST NUMERAL SPACING AS NEEDED TO PREVENT OVERLAP ONTO THE STATE OUTLINE OR SHIELD BORDER.

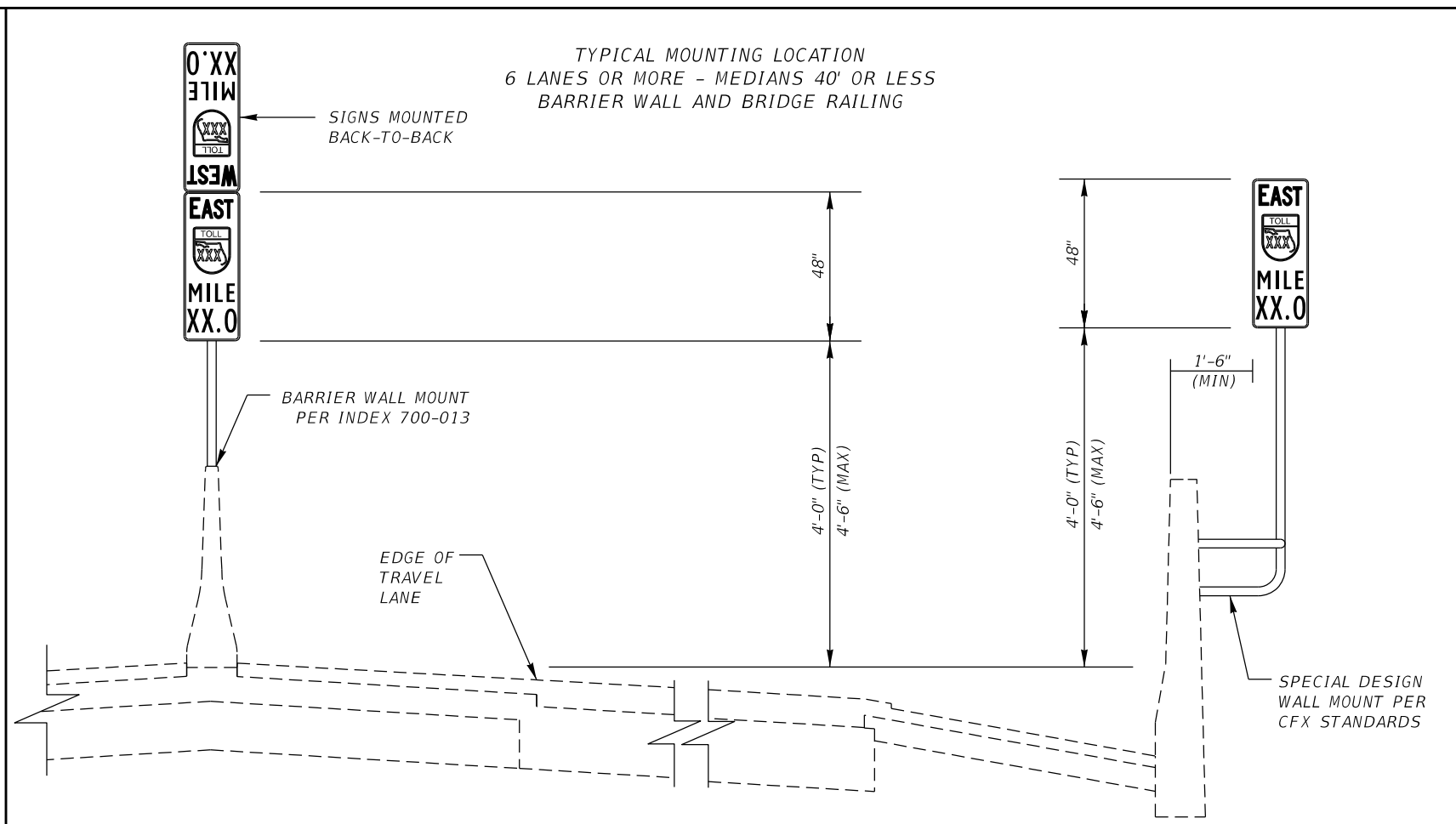
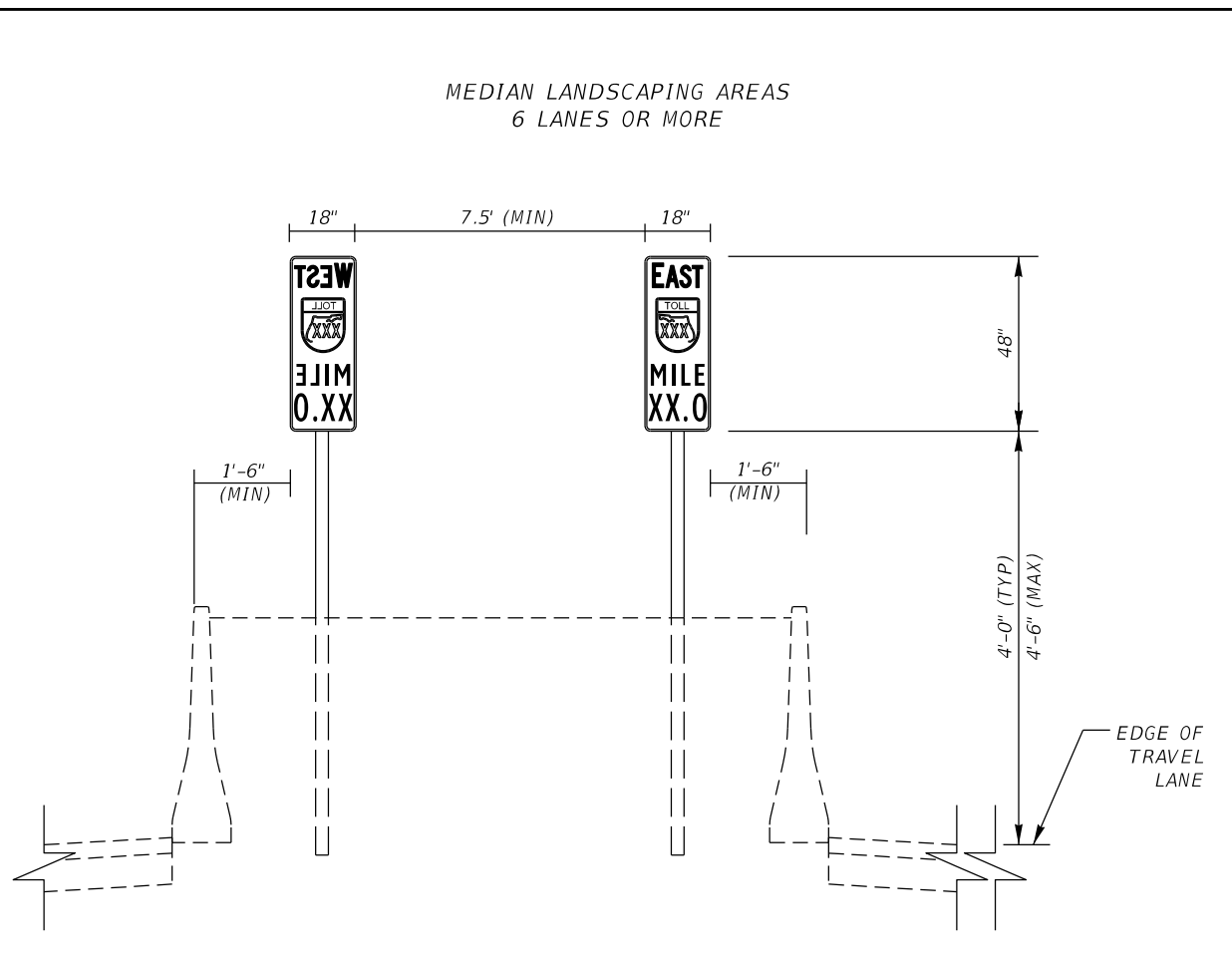
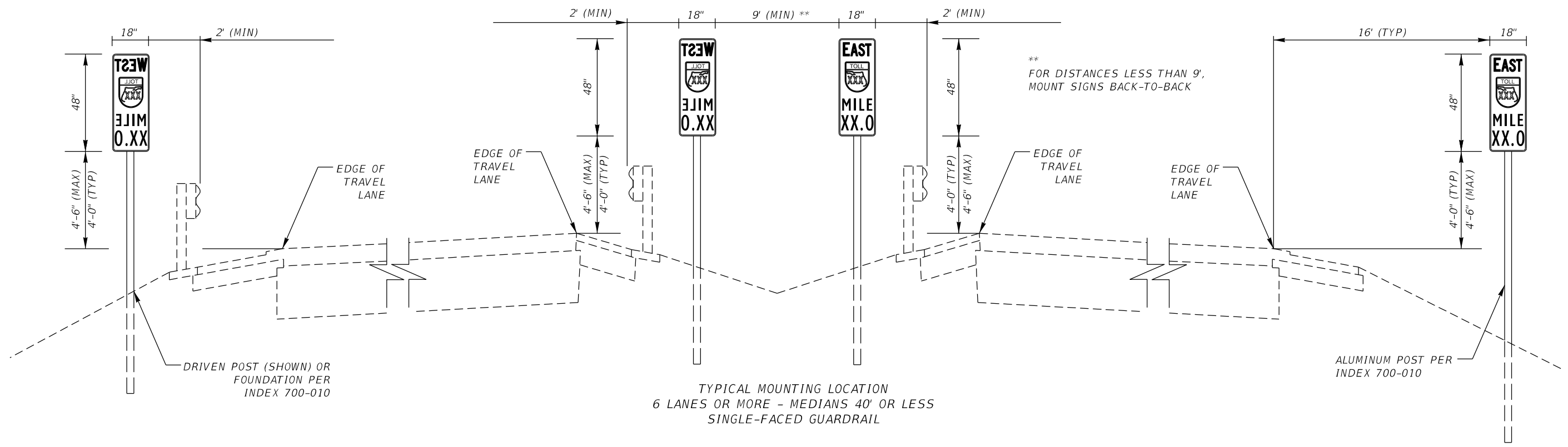


NOTES TO CONSULTANT:

- INSERT CORRECT ROUTE NUMBER.
- INSERT PROJECT SPECIFIC SIGN NUMBERS.
- ONLY SHOW CARDINAL DIRECTIONS AND DATA APPLICABLE TO PROJECT.
- DELETE THIS BOX AND NOTES PRIOR TO INCLUDING SHEET IN PLANS.

REVISIONS				ENGINEER OF RECORD FULL NAME, P.E. P.E. LICENSE NUMBER 99999 ENGINEER OF RECORD COMPANY NAME ENGINEER OF RECORD COMPANY STREET ENGINEER OF RECORD CITY, STATE AND ZIP CERTIFICATE OF AUTHORIZATION 00009999	SIGNING AND PAVEMENT MARKING DETAILS		SPECIAL DESIGN ROUTE CONFIRMATION MARKERS	SHEET NO. 22
DATE	DESCRIPTION	DATE	DESCRIPTION					
					ROAD NO.	PROJECT NO.		

2/29/2024 3:51:15 PM W:\50088189\CFX Design Guidelines\CADD and Details\SPM\A3-07.dgn zfincher



REVISIONS			
DATE	DESCRIPTION	DATE	DESCRIPTION

ENGINEER OF RECORD FULL NAME, P.E.
P.E. LICENSE NUMBER 99999
ENGINEER OF RECORD COMPANY NAME
ENGINEER OF RECORD COMPANY STREET
ENGINEER OF RECORD CITY, STATE AND ZIP
CERTIFICATE OF AUTHORIZATION 00009999

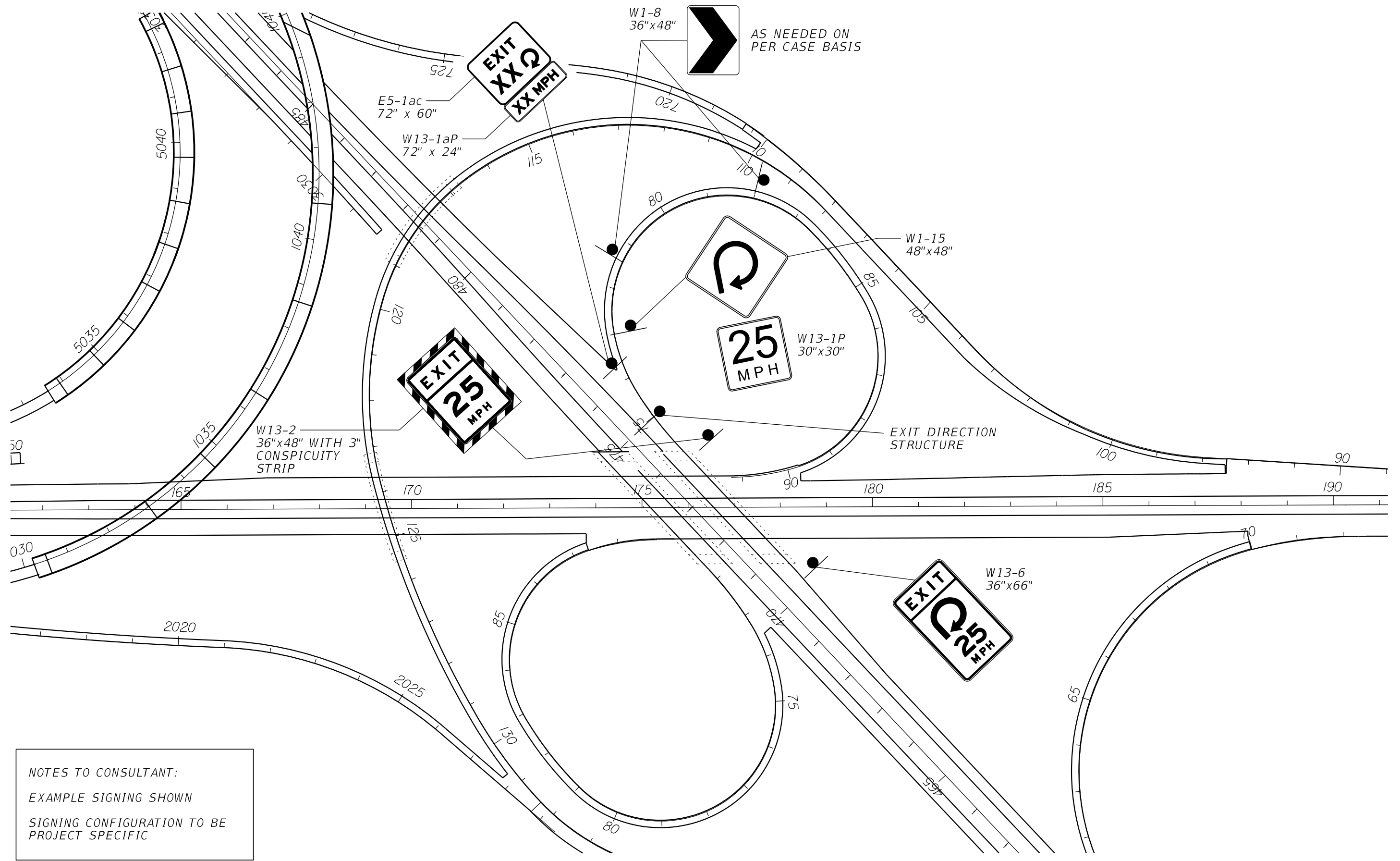
SIGNING AND PAVEMENT MARKING DETAILS	
ROAD NO.	PROJECT NO.



**SPECIAL DESIGN MILEPOST
LOCATION AND MOUNTING**

SHEET NO.
25

W:\50088189\CFX Design Guidelines\CADD and Details\SPIN\A3-13.dgn
 3:51:18 PM
 2/29/2024
 zfincher



NOTES TO CONSULTANT:
 EXAMPLE SIGNING SHOWN
 SIGNING CONFIGURATION TO BE
 PROJECT SPECIFIC

REVISIONS		ENGINEER OF RECORD FULL NAME, P.E.		SIGNING AND PAVEMENT MARKING DETAILS	CENTRAL FLORIDA EXPRESSWAY AUTHORITY	LOOP EXIT RAMP TYPICAL SIGNING	SHEET NO.
DATE	DESCRIPTION	DATE	DESCRIPTION				
				ROAD NO.	PROJECT NO.		30

ENGINEER OF RECORD FULL NAME, P.E.
 P.E. LICENSE NUMBER 99999
 ENGINEER OF RECORD COMPANY NAME
 ENGINEER OF RECORD COMPANY STREET
 ENGINEER OF RECORD CITY, STATE AND ZIP
 CERTIFICATE OF AUTHORIZATION 00009999

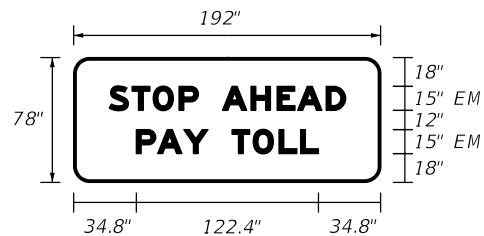
**CENTRAL
 FLORIDA
 EXPRESSWAY
 AUTHORITY**

*LOOP EXIT RAMP
 TYPICAL SIGNING*

SHEET NO.
 30

SIGN NUMBER	204
QUANTITY	
WIDTH	16'-0" (192")
HEIGHT	6'-6" (78")
BORDER WIDTH	2"
BORDER RADII	10"
BORDER INSET	N/A
BACKGROUND COLOR	Yellow
LEGEND & BORDER COLOR	Black
SHEETING	DG3

MOUNTING: OVERHEAD CANTILEVER (OC-X)



NOTES:
LETTER SPACING HAS BEEN INCREASED BY 10%.

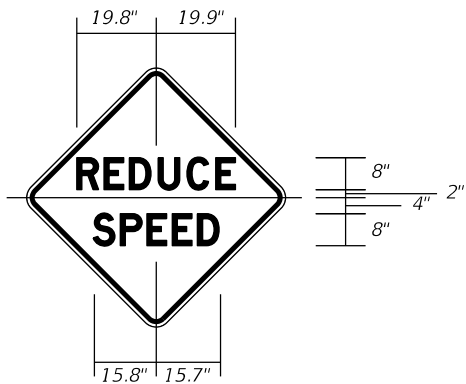
USE: TOLL PLAZA APPROACH SIGNING

EXAMPLES:
STOP AHEAD PAY TOLL - CANTILEVER SIGN
REDUCE SPEED - SINGLE POST SIGN

COPY		S	T	O	P		A	H	E	A	D												L	
SPACE	17.4			56.7			22.5			78.1														157.3
COPY		P	A	Y		T	O	L	L															L
SPACE	34.8			45.1			22.5			54.8			34.8											122.4
COPY																								
SPACE																								
COPY																								
SPACE																								
COPY																								
SPACE																								

SIGN NUMBER	205
QUANTITY	
WIDTH	4'-0" (48")
HEIGHT	4'-0" (48")
BORDER WIDTH	1.25"
BORDER RADII	3"
BORDER INSET	0.75"
BACKGROUND COLOR	Yellow
LEGEND & BORDER COLOR	Black
SHEETING	DG3

MOUNTING: GROUND MOUNT (GM-X)



NOTES:
LETTER SPACING HAS BEEN INCREASED BY 10%.

SIGN NUMBER	
QUANTITY	
WIDTH	
HEIGHT	
BORDER WIDTH	
BORDER RADII	
BORDER INSET	
BACKGROUND COLOR	
LEGEND & BORDER COLOR	
SHEETING	

INTENTIONALLY LEFT BLANK

COPY		R	E	D	U	C	E																	L	
SPACE					39.7																				39.7
COPY		S	P	E	E	D																		L	
SPACE					31.5																				31.5
COPY																									
SPACE																									
COPY																									
SPACE																									

COPY																									
SPACE																									
COPY																									
SPACE																									
COPY																									
SPACE																									
COPY																									
SPACE																									

NOTE: WIDTH - HORIZONTAL SPACING DIMENSIONS ARE IN INCHES.

NOTE: END DIMENSIONS INCLUDE BORDER WIDTH, MARGIN AND BORDER RECESS.

REVISIONS			
DATE	DESCRIPTION	DATE	DESCRIPTION

ENGINEER OF RECORD FULL NAME, P.E.
P.E. LICENSE NUMBER 99999
ENGINEER OF RECORD COMPANY NAME
ENGINEER OF RECORD COMPANY STREET
ENGINEER OF RECORD CITY, STATE AND ZIP
CERTIFICATE OF AUTHORIZATION 00009999

SIGNING AND PAVEMENT MARKING DETAILS	
ROAD NO.	PROJECT NO.

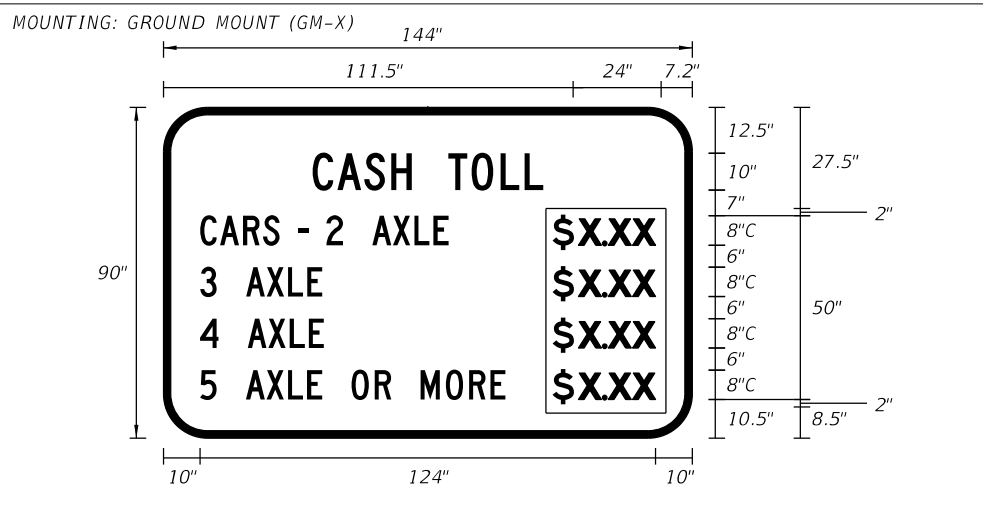


GUIDE SIGN WORKSHEET
SIGNS 204, 205

SHEET NO.
38

2/29/2024 3:51:20 PM W:\50088189\CFX Design Guidelines\CADD and Details\SPM\06-14.dgn zfincher

SIGN NUMBER	206
QUANTITY	
WIDTH	12'-0" (144")
HEIGHT	7'-6" (90")
BORDER WIDTH	2"
BORDER RADII	11"
BORDER INSET	N/A
BACKGROUND COLOR	White
LEGEND & BORDER COLOR	Black
SHEETING	DG3

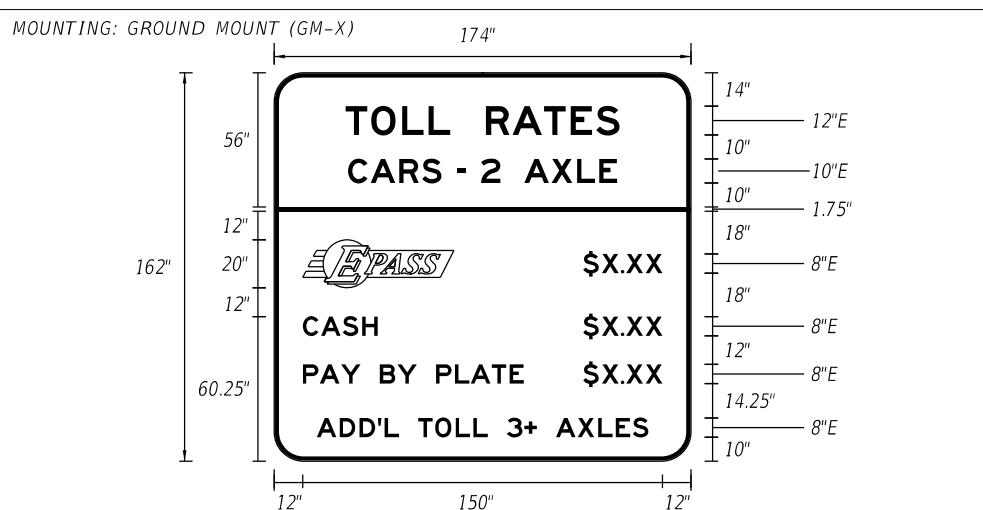


NOTES:

NUMERAL SPACING TO BE ADJUSTED SUCH THAT PERIODS AND COLUMNS OF NUMERALS LINE UP VERTICALLY

COPY		C	A	S	H		T	O	L	L											L	
SPACE	23			26.8			12.5				58.7		23								98	
COPY		C	A	R	S		-		2		A	X	L	E		\$	X	.	X	X	L	
SPACE	10			23.4			5	6	5	4.1	8			21.8		**		**			10	124
COPY		3			A	X	L	E		\$	X	.	X	X								L
SPACE	10	4.1	8				21.8		**		**			10								124
COPY		4			A	X	L	E		\$	X	.	X	X								L
SPACE	10	4.8	8				21.8		**		**			10								124
COPY		5			A	X	L	E		O	R		M	O	R	E						L
SPACE	10	4	8				21.8		8	12.2	8		25.3		**							L
COPY		\$	X	.	X	X																L
SPACE		**					10															124

SIGN NUMBER	207
QUANTITY	
WIDTH	14'-6" (174")
HEIGHT	13'-6" (162")
BORDER WIDTH	1.75"
BORDER RADII	12"
BORDER INSET	0.25"
BACKGROUND COLOR	White
LEGEND & BORDER COLOR	Black
SHEETING	DG3



NOTES:

EPASS LOGO EP-10R
SEE EPASS LOGOS SHEETS

COPY		T	O	L	L		R	A	T	E	S											L
SPACE	29.8			43.6			15				55.7		29.9									114.3
COPY		C	A	R	S		-		2		A	X	L	E								L
SPACE	30.8			39			6.5	3.5	6.5	8.1	10		38.7		30.9							112.3
COPY		\$	X	.	X	X																L
SPACE	12	63.2	**				**			12												150
COPY		C	A	S	H		\$	X	.	X	X											L
SPACE	12			31.2			**		**		12											150
COPY		P	A	Y		B	Y		P	L	A	T	E		\$	X	.	X	X			L
SPACE	12			24.1		8	15.5	8		36.6		**		**						12		150
COPY		A	D	D	,	L		T	O	L	L		3	+		A	X	L	E	S		L
SPACE	17.8			34.2			8		29		8	12.5	8		38.6					17.9		138.3

SIGN NUMBER	
QUANTITY	
WIDTH	
HEIGHT	
BORDER WIDTH	
BORDER RADII	
BORDER INSET	
BACKGROUND COLOR	
LEGEND & BORDER COLOR	
SHEETING	

INTENTIONALLY LEFT BLANK

NOTES:

COPY																							
SPACE																							
COPY																							
SPACE																							
COPY																							
SPACE																							
COPY																							
SPACE																							

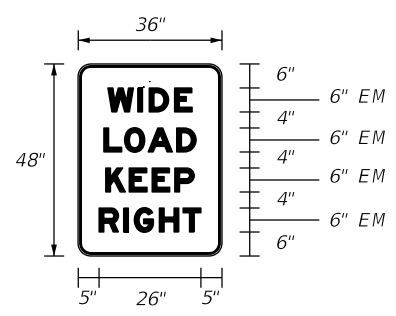
NOTE: WIDTH - HORIZONTAL SPACING DIMENSIONS ARE IN INCHES. END DIMENSIONS INCLUDE BORDER WIDTH, MARGIN, AND BORDER RECESS.

REVISIONS			ENGINEER OF RECORD FULL NAME, P.E. P.E. LICENSE NUMBER 99999 ENGINEER OF RECORD COMPANY NAME ENGINEER OF RECORD COMPANY STREET ENGINEER OF RECORD CITY, STATE AND ZIP CERTIFICATE OF AUTHORIZATION 00009999	SIGNING AND PAVEMENT MARKING DETAILS	CENTRAL FLORIDA EXPRESSWAY AUTHORITY	GUIDE SIGN WORKSHEET SIGNS 206, 207	SHEET NO. 39
DATE	DESCRIPTION	DATE					

W:\50088189\CFX Design Guidelines\CADD and Details\SPIN\06-12.dgn
 4:19:42 PM
 3/7/2024
 zfincher

SIGN NUMBER	208
QUANTITY	
WIDTH	3'-0" (36")
HEIGHT	4'-0" (48")
BORDER WIDTH	0.75"
BORDER RADII	3"
BORDER INSET	0.25"
BACKGROUND COLOR	Yellow
LEGEND & BORDER COLOR	Black
SHEETING	DG3

MOUNTING: GROUND MOUNT (GM-X)



NOTES:

LETTER SPACING HAS BEEN INCREASED BY 10%.

COPY		W	I	D	E																	L	
SPACE	7.2			21.5																			21.5
COPY		L	O	A	D																		L
SPACE	6.4			23.3																			23.3
COPY		K	E	E	P																		L
SPACE	6.8			22.5																			22.5
COPY		R	I	G	H	T																	L
SPACE	5			26																			26
COPY																							
SPACE																							

USE: TOLL PLAZA APPROACH SINGLE POST SIGNING

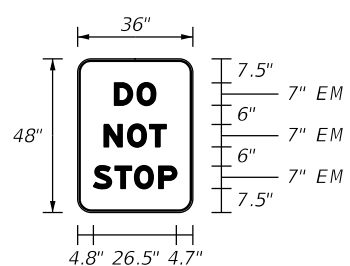
EXAMPLES:
WIDE LOAD KEEP RIGHT SIGN
DO NOT STOP SIGNS

INSTRUCTIONS TO DESIGNERS:

DO NOT STOP SIGNS:
48" x 54" WHEN GROUND MOUNTED.
36" x 48" WHEN MOUNTED TO THE TOP OF A MEDIAN BARRIER WALL.

SIGN NUMBER	209
QUANTITY	
WIDTH	3'-0" (36")
HEIGHT	4'-0" (48")
BORDER WIDTH	0.75"
BORDER RADII	4"
BORDER INSET	0.25"
BACKGROUND COLOR	White
LEGEND & BORDER COLOR	Black
SHEETING	DG3

MOUNTING: GROUND MOUNT (GM-X)



NOTES:

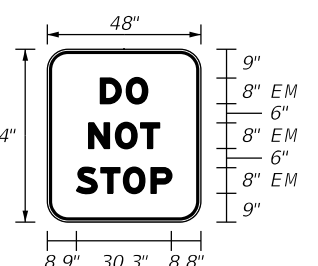
LETTER SPACING HAS BEEN INCREASED BY 10%.

COPY		D	O																				L
SPACE	11.5			13.1																			13.1
COPY		N	O	T																			L
SPACE	8.2			19.7																			19.7
COPY		S	T	O	P																		L
SPACE	4.8			26.5																			26.5
COPY																							
SPACE																							

NOTE: WIDTH - HORIZONTAL SPACING DIMENSIONS ARE IN INCHES.

SIGN NUMBER	210
QUANTITY	
WIDTH	4'-0" (48")
HEIGHT	4'-6" (54")
BORDER WIDTH	1"
BORDER RADII	6"
BORDER INSET	0.5"
BACKGROUND COLOR	White
LEGEND & BORDER COLOR	Black
SHEETING	DG3

MOUNTING: GROUND MOUNT (GM-X)



NOTES:

LETTER SPACING HAS BEEN INCREASED BY 10%.

COPY		D	O																				L
SPACE	16.5			15																			15
COPY		N	O	T																			L
SPACE	12.8			22.5																			22.5
COPY		S	T	O	P																		L
SPACE	8.9			30.3																			30.3
COPY																							
SPACE																							

NOTE: END DIMENSIONS INCLUDE BORDER WIDTH, MARGIN AND BORDER RECESS.

W:\50088189\CFX Design Guidelines\CADD and Details\SPM\06-15.dgn 4:19:43 PM 3/7/2024 zfincher

REVISIONS			
DATE	DESCRIPTION	DATE	DESCRIPTION

ENGINEER OF RECORD FULL NAME, P.E.
P.E. LICENSE NUMBER 99999
ENGINEER OF RECORD COMPANY NAME
ENGINEER OF RECORD COMPANY STREET
ENGINEER OF RECORD CITY, STATE AND ZIP
CERTIFICATE OF AUTHORIZATION 00009999

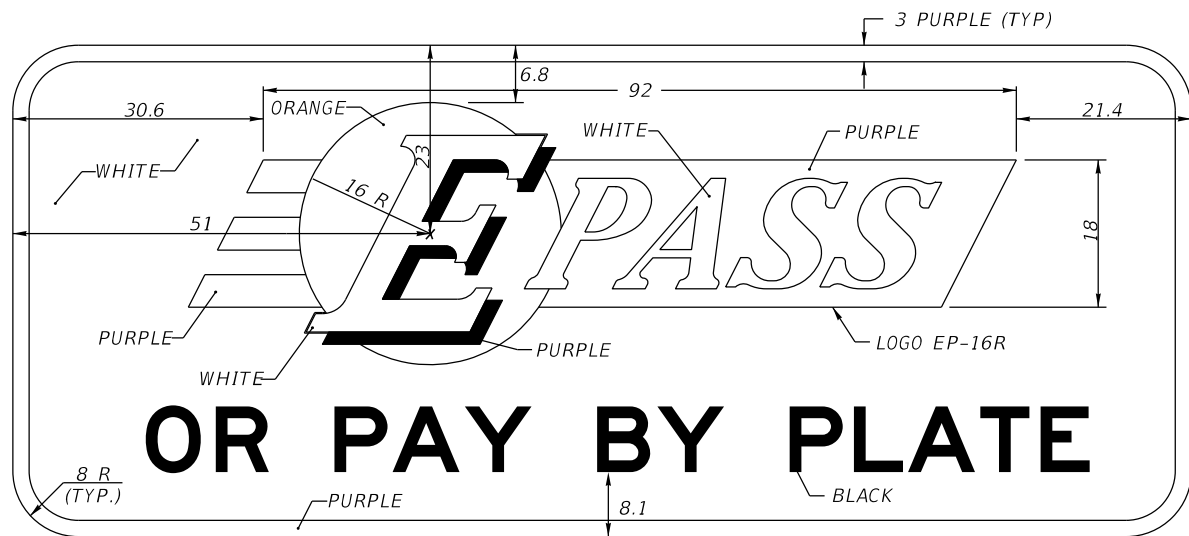
SIGNING AND PAVEMENT MARKING DETAILS	
ROAD NO.	PROJECT NO.

CENTRAL FLORIDA EXPRESSWAY AUTHORITY

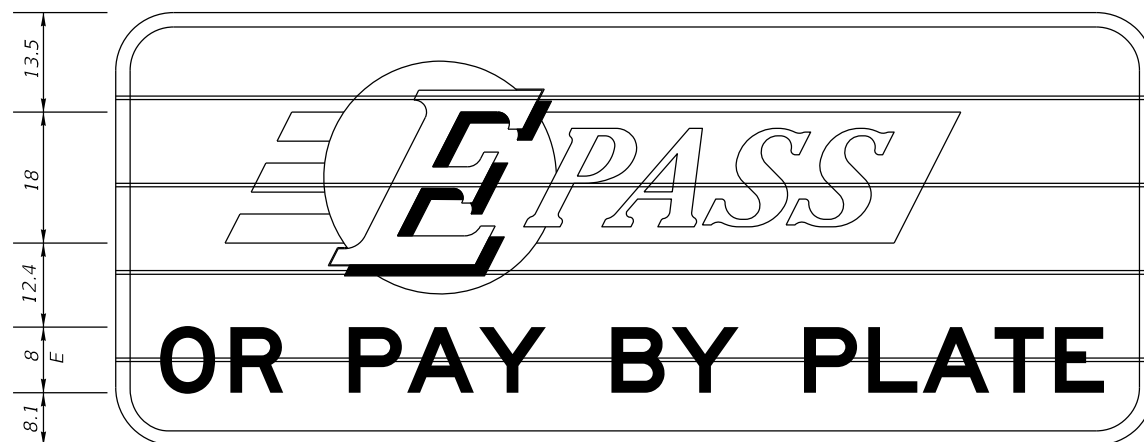
GUIDE SIGN WORKSHEET
SIGNS 208 - 210

SHEET NO.
40

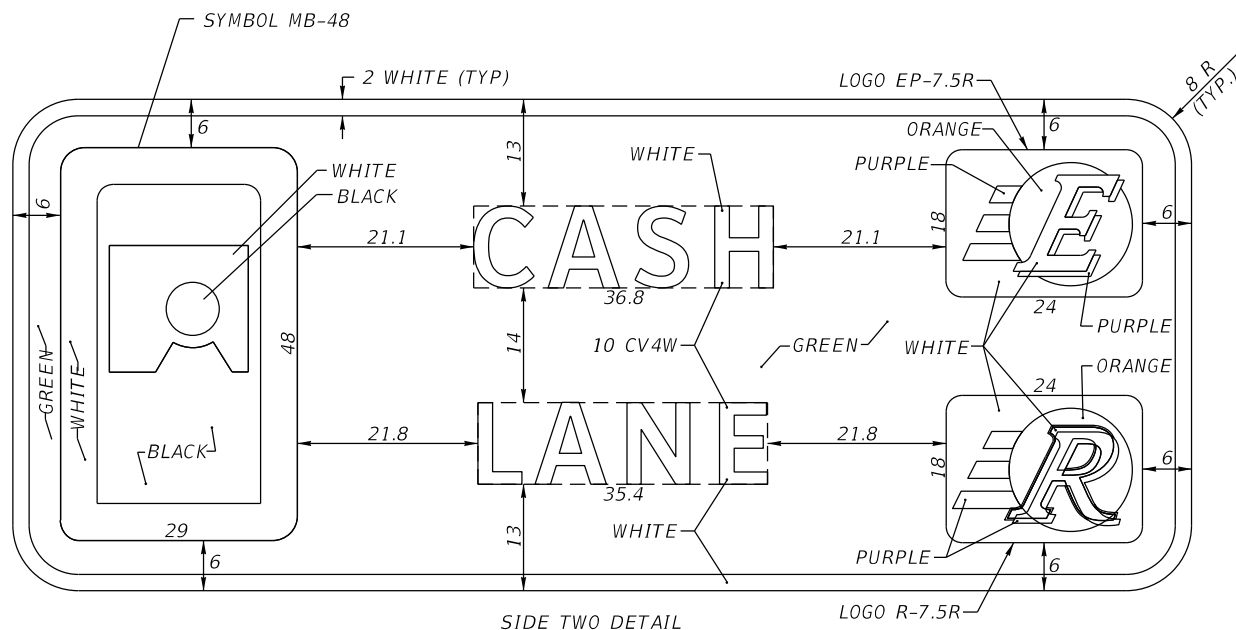
2/29/2024 3:51:21 PM W:\50088189\CFX Design Guidelines\CADD and Details\SPM\06-17.dgn zfincher



SIDE ONE DETAIL

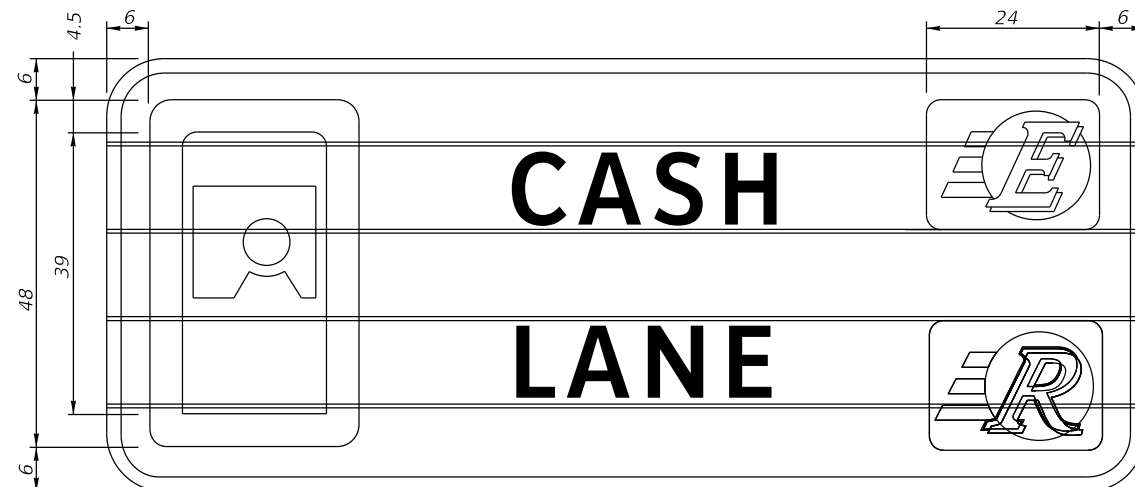


SIGN 301
SIDE ONE MESSAGE



SIDE TWO DETAIL

12'-0" X 5'-0" (TYP)



SIGN 301
SIDE TWO MESSAGE

NOTES TO CONSULTANT:

1. DETAILS ON THIS SHEET SHALL BE USED FOR OVERLAYS OF EXISTING ROTATING CMS SIGNS.
2. INSERT CROSS REFERENCE SHEET NUMBER INTO NOTE 2.
3. DELETE THIS BOX WITH NOTES PRIOR TO INCLUDING SHEET IN PLANS.

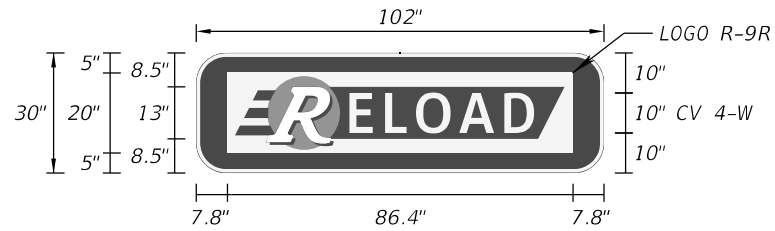
CMS SIGNING GENERAL NOTES:

1. ALL DIMENSIONS ARE IN INCHES.
2. SEE SHEET XX FOR DETAILS OF LOGO EP-7.5R, LOGO EP-16R, AND LOGO R-7.5R.

REVISIONS		ENGINEER OF RECORD FULL NAME, P.E. P.E. LICENSE NUMBER 99999 ENGINEER OF RECORD COMPANY NAME ENGINEER OF RECORD COMPANY STREET ENGINEER OF RECORD CITY, STATE AND ZIP CERTIFICATE OF AUTHORIZATION 00009999	SIGNING AND PAVEMENT MARKING DETAILS	CENTRAL FLORIDA EXPRESSWAY AUTHORITY	TOLL PLAZA CANOPY SIGNS	SHEET NO.
DATE	DESCRIPTION					DATE

SIGN NUMBER	RELOAD-1
QUANTITY	
WIDTH	8'-6" (102")
HEIGHT	2'-6" (30")
BORDER WIDTH	1"
BORDER RADIUS	7.5"
BORDER INSET	N/A
BACKGROUND COLOR	GREEN/WHITE/PURPLE
LEGEND & BORDER COLOR	WHITE
SHEETING	DG3

NOTES:
SEE RELOAD LOGOS SHEET



RELOAD LOGO NOTES:

ALL LOGOS AND SYMBOLS SHALL HAVE PRISMATIC RETROREFLECTIVE SHEETING, 3M COMPANY DIAMOND GRADE CUBED (DG3) OR CFX APPROVED EQUAL

RELOAD LOGO COLORS:

WHITE
PURPLE, 3M COMPANY DG3 RETROREFLECTIVE SHEETING MATCHING 3M 4058FL OR CFX APPROVED EQUAL.
ORANGE, 3M EC FILM SERIES 1174 OR CFX APPROVED EQUAL.

IF COLORS AND/OR SHEETING OTHER THAN THOSE NOTED SPECIFICALLY AS 3M COMPANY ARE TO BE USED, CONTRACTOR SHALL SUBMIT 4"x4" SAMPLES OF EACH IN ALL REQUIRED COLORS. NO FABRICATION SHALL COMMENCE UNTIL SAMPLES HAVE BEEN REVIEWED AND WRITTEN ACCEPTANCE RECEIVED FROM CFX. SEE GENERAL NOTES FOR ADDITIONAL REQUIREMENTS.

FABRICATOR SHALL APPLY AS THE TOP LAYER, 3M COMPANY EC FILM 1170 CLEAR ON THE AUTHORITY DESIGNATED ORANGE. INSTALLATION SHALL BE PART OF A 3M MATCHED COMPONENT SYSTEM AND MEET ALL 3M SIGN FABRICATION REQUIREMENTS. CONTACT 3M AT 1-800-553-1380.

ALL DIMENSIONS ARE IN INCHES.

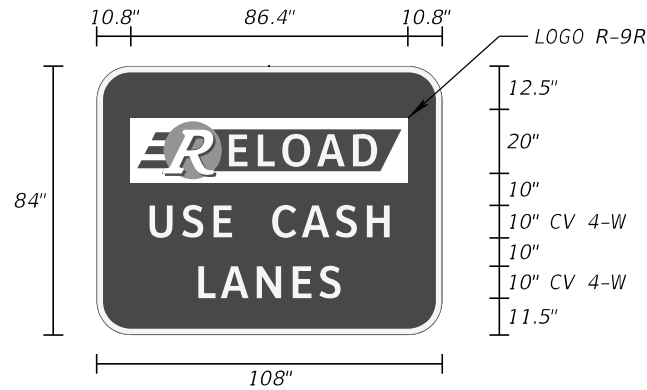
FABRICATOR TO BE GIVEN A COMPUTER DISK OF ARTWORK AS NEEDED UPON REQUEST. FABRICATOR MUST SPECIFY FILE FORMAT REQUIRED HOWEVER, SOME FORMATS MAY NOT BE AVAILABLE.

RELOAD LOGO IS TO BE MOUNTED TO THE TOP OF EXISTING OVERHEAD GUIDE SIGNS IN A SIMILAR FASHION AS EXIT NUMBER PLAQUES. SEE INDEX 700-110.

COPY		®		E	L	O	A	D												L	
SPACE	17.7	18	2.3	46.2				17.8													66.5
COPY																					
SPACE																					
COPY																					
SPACE																					
COPY																					
SPACE																					

SIGN NUMBER	RELOAD-2
QUANTITY	
WIDTH	9'-0" (108")
HEIGHT	7'-0" (84")
BORDER WIDTH	2"
BORDER RADIUS	10.5"
BORDER INSET	N/A
BACKGROUND COLOR	GREEN/WHITE/PURPLE
LEGEND & BORDER COLOR	WHITE
SHEETING	DG3

NOTES:
SEE RELOAD LOGOS SHEET



SIGN NUMBER	
QUANTITY	
WIDTH	
HEIGHT	
BORDER WIDTH	
BORDER RADIUS	
BORDER INSET	
BACKGROUND COLOR	
LEGEND & BORDER COLOR	
SHEETING	

NOTES:

INTENTIONALLY LEFT BLANK

COPY		®		E	L	O	A	D													L	
SPACE	20.8	18	2.3	46.2				20.7														66.5
COPY																						
SPACE	16.4		25.9		12.5	36.8				16.4												
COPY				L	A	N	E	S														
SPACE	31.8		44.5	31.7																		44.5
COPY																						
SPACE																						
COPY																						
SPACE																						

COPY																						
SPACE																						
COPY																						
SPACE																						
COPY																						
SPACE																						
COPY																						
SPACE																						
COPY																						
SPACE																						

NOTE: WIDTH - HORIZONTAL SPACING DIMENSIONS ARE IN INCHES.

NOTE: END DIMENSIONS INCLUDE BORDER WIDTH, MARGIN AND BORDER RECESS.

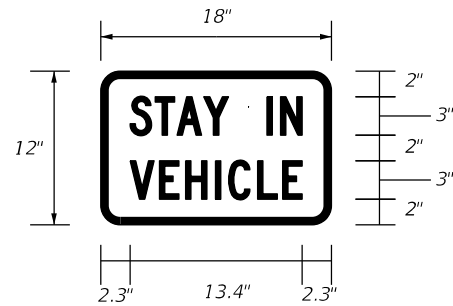
W:\50088189\CFX Design Guidelines\CADD and Details\SPM\A10-01.dgn 3:51:22 PM 2/29/2024 zfincher

REVISIONS				ENGINEER OF RECORD FULL NAME, P.E. P.E. LICENSE NUMBER 99999 ENGINEER OF RECORD COMPANY NAME ENGINEER OF RECORD COMPANY STREET ENGINEER OF RECORD CITY, STATE AND ZIP CERTIFICATE OF AUTHORIZATION 00009999	SIGNING AND PAVEMENT MARKING DETAILS	CENTRAL FLORIDA EXPRESSWAY AUTHORITY	GUIDE SIGN WORKSHEET SIGNS RELOAD-1, RELOAD-2	DATE	DESCRIPTION	DATE	DESCRIPTION	SHEET NO.
								44				

W:\50088189\CFX Design Guidelines\CADD and Details\SPM\06-21.dgn
 3:51:25 PM
 2/29/2024
 zfincher

SIGN NUMBER	404
QUANTITY	
WIDTH	1'-6" (18")
HEIGHT	1'-0" (12")
BORDER WIDTH	0.625"
BORDER RADII	1.5"
BORDER INSET	0.375"
BACKGROUND COLOR	Red
LEGEND & BORDER COLOR	White
SHEETING	DG3

MOUNTING: GROUND MOUNT (GM-X)



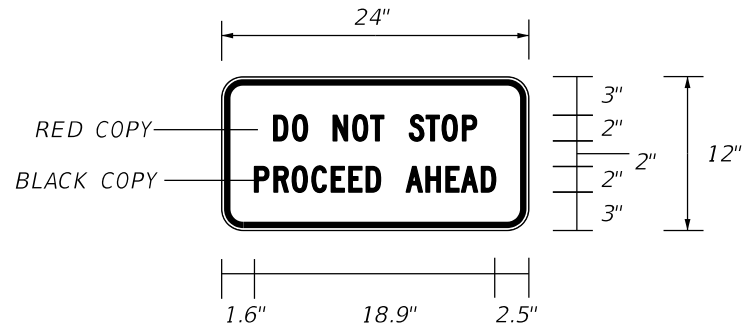
NOTES:
 SIGNS SHALL BE FABRICATED USING 0.08 ALUMINUM. PLASTIC MATERIALS SHALL NOT BE ALLOWED.
 VHB TAPE SHALL BE USED WHEN INSTALLED ON COIN MACHINES OR TOLL BOOTHS.

COPY		S	T	A	Y	I	N													L	
SPACE	2.3	7.6				3	2.8	2.3													13.4
COPY		V	E	H	I	C	L	E												L	
SPACE	2.3	13.4				2.3															13.4
COPY																					
SPACE																					
COPY																					
SPACE																					
COPY																					
SPACE																					

USE: MAINLINE AND RAMP - INTERIOR TOLL PLAZA SIGNING CONTINUED

SIGN NUMBER	405
QUANTITY	
WIDTH	2'-0" (24")
HEIGHT	1'-0" (12")
BORDER WIDTH	0.5"
BORDER RADII	1.5"
BORDER INSET	0.375"
BACKGROUND COLOR	White
LEGEND & BORDER COLOR	Red, Black/Black
SHEETING	DG3

MOUNTING: GROUND MOUNT (GM-X)



NOTES:

COPY		D	O	N	O	T	S	T	O	P										L
SPACE	4.1	2.7	2	3.9			2	5.3			4									15.9
COPY		P	R	O	C	E	E	D	A	H	E	A	D							L
SPACE	2.6	9.8			2	7.1			2.5											18.9
COPY																				
SPACE																				
COPY																				
SPACE																				

NOTE: WIDTH - HORIZONTAL SPACING DIMENSIONS ARE IN INCHES.

SIGN NUMBER	
QUANTITY	
WIDTH	
HEIGHT	
BORDER WIDTH	
BORDER RADII	
BORDER INSET	
BACKGROUND COLOR	
LEGEND & BORDER COLOR	
SHEETING	

INTENTIONALLY LEFT BLANK

NOTES:

COPY																				
SPACE																				
COPY																				
SPACE																				
COPY																				
SPACE																				
COPY																				
SPACE																				

NOTE: END DIMENSIONS INCLUDE BORDER WIDTH, MARGIN AND BORDER RECESS.

REVISIONS			
DATE	DESCRIPTION	DATE	DESCRIPTION

ENGINEER OF RECORD FULL NAME, P.E.
 P.E. LICENSE NUMBER 99999
 ENGINEER OF RECORD COMPANY NAME
 ENGINEER OF RECORD COMPANY STREET
 ENGINEER OF RECORD CITY, STATE AND ZIP
 CERTIFICATE OF AUTHORIZATION 00009999

SIGNING AND PAVEMENT MARKING DETAILS	
ROAD NO.	PROJECT NO.

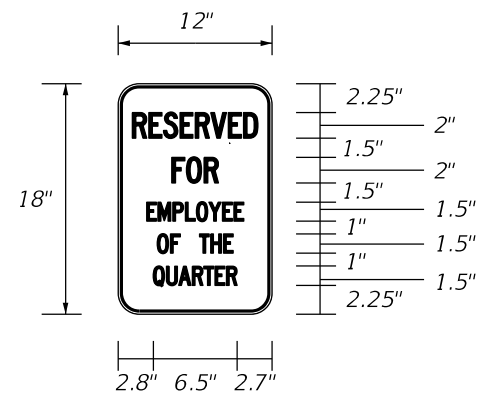


GUIDE SIGN WORKSHEET
SIGNS 404, 405

SHEET NO.
50

SIGN NUMBER	501
QUANTITY	
WIDTH	1'-0" (12")
HEIGHT	1'-6" (18")
BORDER WIDTH	0.25"
BORDER RADII	1.5"
BORDER INSET	0.125"
BACKGROUND COLOR	White
LEGEND & BORDER COLOR	Black
SHEETING	DG3

MOUNTING: GROUND MOUNT (GM-X)



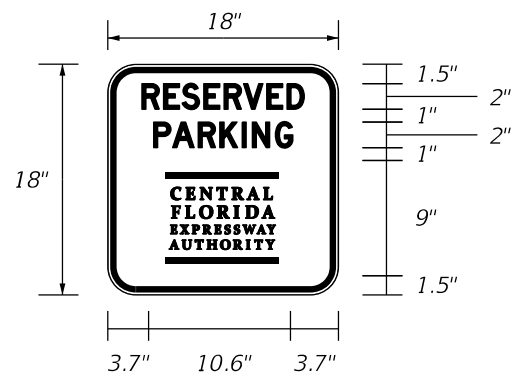
NOTES:
SPACING REDUCED 50%.

COPY		R	E	S	E	R	V	E	D											L	
SPACE	1.1					9.8															9.8
COPY		F	O	R																	L
SPACE	4.2					3.6															3.6
COPY		E	M	P	L	O	Y	E	E												L
SPACE	2.1																				7.8
COPY		O	F			T	H	E													L
SPACE	3					1.8															2.7
COPY		Q	U	A	R	T	E	R													L
SPACE	2.8																				6.5

USE: MAINLINE TOLL PLAZA PARKING LOT SIGNING

SIGN NUMBER	502
QUANTITY	
WIDTH	1'-6" (18")
HEIGHT	1'-6" (18")
BORDER WIDTH	0.5"
BORDER RADII	2"
BORDER INSET	0.125"
BACKGROUND COLOR	White
LEGEND & BORDER COLOR	Black
SHEETING	DG3

MOUNTING: GROUND MOUNT (GM-X)



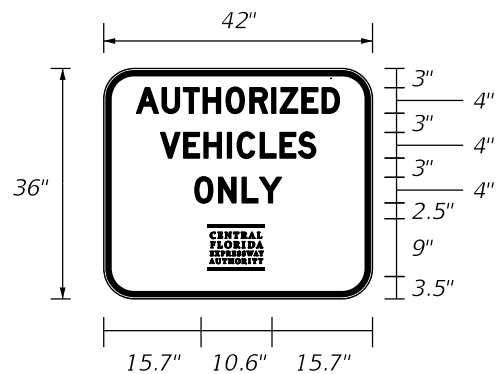
NOTES:
CFX LOGO L-1
SEE CFX LOGOS DETAIL SHEET

COPY		R	E	S	E	R	V	E	D												L
SPACE	2.7																				12.7
COPY		P	A	R	K	I	N	G													L
SPACE	3.6																				10.9
COPY																					L
SPACE	3.7																				10.6
COPY																					L
SPACE																					3.5

NOTE: WIDTH - HORIZONTAL SPACING DIMENSIONS ARE IN INCHES.

SIGN NUMBER	503
QUANTITY	
WIDTH	3'-6" (42")
HEIGHT	3'-0" (36")
BORDER WIDTH	1"
BORDER RADII	4.5"
BORDER INSET	0.25"
BACKGROUND COLOR	White
LEGEND & BORDER COLOR	Black
SHEETING	DG3

MOUNTING: GROUND MOUNT (GM-X)



NOTES:
CFX LOGO L-1
SEE CFX LOGOS DETAIL SHEET

COPY		A	U	T	H	O	R	I	Z	E	D										L
SPACE	5.2																				31.7
COPY		V	E	H	I	C	L	E	S												L
SPACE	8.9																				24.3
COPY		O	N	L	Y																L
SPACE	14.2																				13.6
COPY																					L
SPACE	15.7																				10.6

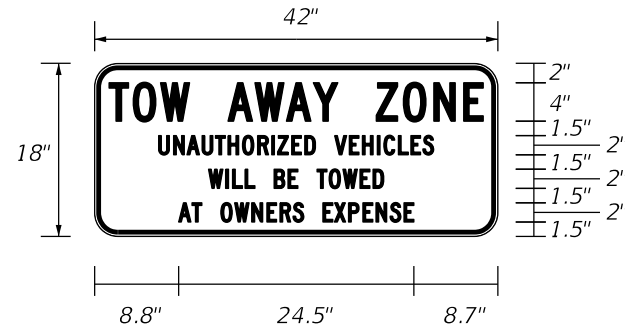
NOTE: END DIMENSIONS INCLUDE BORDER WIDTH, MARGIN AND BORDER RECESS.

W:\50088189\CFX Design Guidelines\CADD and Details\SPM\06-22.dgn 3:51:25 PM 2/29/2024 zfincher

REVISIONS				ENGINEER OF RECORD FULL NAME, P.E. P.E. LICENSE NUMBER 99999 ENGINEER OF RECORD COMPANY NAME ENGINEER OF RECORD COMPANY STREET ENGINEER OF RECORD CITY, STATE AND ZIP CERTIFICATE OF AUTHORIZATION 00009999	SIGNING AND PAVEMENT MARKING DETAILS		GUIDE SIGN WORKSHEET SIGNS 501 - 503	SHEET NO.
DATE	DESCRIPTION	DATE	DESCRIPTION					

SIGN NUMBER	504
QUANTITY	
WIDTH	3'-6" (42")
HEIGHT	1'-6" (18")
BORDER WIDTH	0.5"
BORDER RADII	2.25"
BORDER INSET	0.125"
BACKGROUND COLOR	White
LEGEND & BORDER COLOR	Red
SHEETING	DG3

MOUNTING: GROUND MOUNT (GM-X)



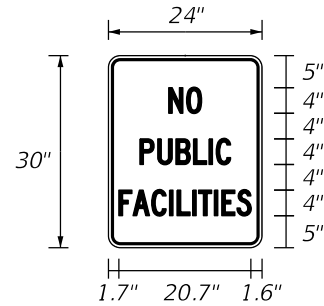
NOTES:

COPY		T	O	W	A	W	A	Y	Z	O	N	E								L	
SPACE	1.5	8.4			4	11.4			4	11.2			1.5							39	
COPY		U	N	A	U	T	H	O	R	I	Z	E	D								
SPACE	6.2	16.3											3								
COPY		V	E	H	I	C	L	E	S										L		
SPACE		10.3						6.2												29.6	
COPY		W	I	L	L	B	E	T	O	W	E	D							L		
SPACE	10.9	4.8			3	2.5	3	7			10.8								20.3		
COPY		A	T	O	W	N	E	R	S	E	X	P	E	N	S	E			L		
SPACE	7.8	2.4	3	8.6			3	9.5			7.7								26.5		

USE: MAINLINE TOLL PLAZA PARKING LOT SIGNING CONTINUED

SIGN NUMBER	505
QUANTITY	
WIDTH	2'-0" (24")
HEIGHT	2'-6" (30")
BORDER WIDTH	0.5"
BORDER RADII	1.5"
BORDER INSET	0.375"
BACKGROUND COLOR	White
LEGEND & BORDER COLOR	Black
SHEETING	DG3

MOUNTING: GROUND MOUNT (GM-X)



NOTES:

COPY		N	O																	L	
SPACE	9.3	5.4	9.3																	5.4	
COPY		P	U	B	L	I	C													L	
SPACE	4.4	15.3						4.3													15.3
COPY		F	A	C	I	L	I	E	S											L	
SPACE	1.7	20.7						1.6													20.7
COPY																					
SPACE																					

NOTE: WIDTH - HORIZONTAL SPACING DIMENSIONS ARE IN INCHES.

SIGN NUMBER	
QUANTITY	
WIDTH	
HEIGHT	
BORDER WIDTH	
BORDER RADII	
BORDER INSET	
BACKGROUND COLOR	
LEGEND & BORDER COLOR	
SHEETING	

INTENTIONALLY LEFT BLANK

NOTES:

COPY																					
SPACE																					
COPY																					
SPACE																					
COPY																					
SPACE																					
COPY																					
SPACE																					

NOTE: END DIMENSIONS INCLUDE BORDER WIDTH, MARGIN AND BORDER RECESS.

REVISIONS			
DATE	DESCRIPTION	DATE	DESCRIPTION

ENGINEER OF RECORD FULL NAME, P.E.
P.E. LICENSE NUMBER 99999
ENGINEER OF RECORD COMPANY NAME
ENGINEER OF RECORD COMPANY STREET
ENGINEER OF RECORD CITY, STATE AND ZIP
CERTIFICATE OF AUTHORIZATION 00009999

SIGNING AND PAVEMENT MARKING DETAILS	
ROAD NO.	PROJECT NO.

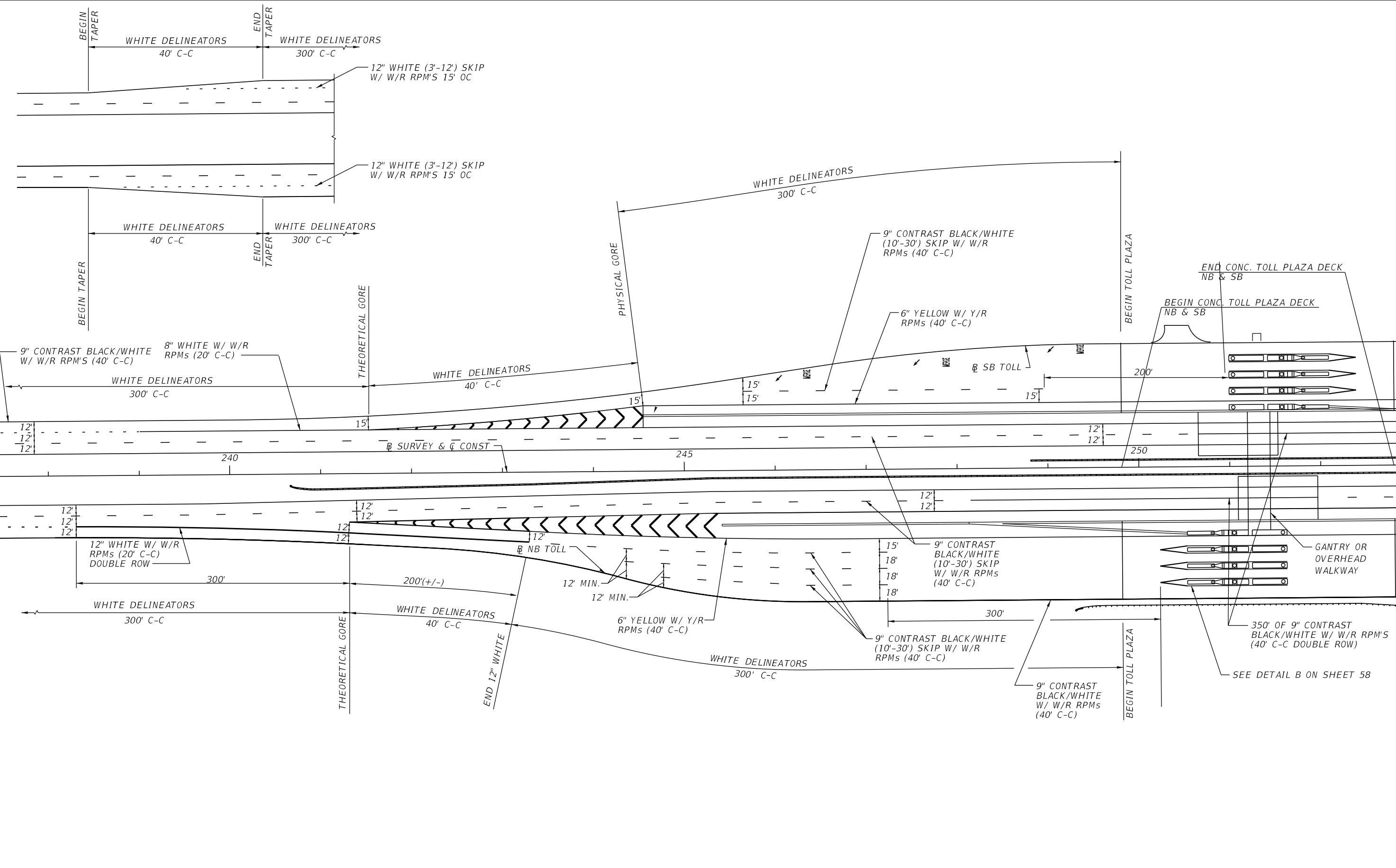
CENTRAL FLORIDA EXPRESSWAY AUTHORITY

GUIDE SIGN WORKSHEET
SIGNS 504, 505

SHEET NO.
53

2/29/2024 3:51:26 PM W:\50088189\CFX Design Guidelines\CADD and Details\SPM\06-23.dgn zfincher

W:\50088189\CFX Design Guidelines\CADD and Details\SPM\A6-24.dgn
 3:51:26 PM
 2/29/2024
 zfincher



REVISIONS			
DATE	DESCRIPTION	DATE	DESCRIPTION

ENGINEER OF RECORD FULL NAME, P.E.
 P.E. LICENSE NUMBER 99999
 ENGINEER OF RECORD COMPANY NAME
 ENGINEER OF RECORD COMPANY STREET
 ENGINEER OF RECORD CITY, STATE AND ZIP
 CERTIFICATE OF AUTHORIZATION 00009999

SIGNING AND PAVEMENT MARKING DETAILS	
ROAD NO.	PROJECT NO.

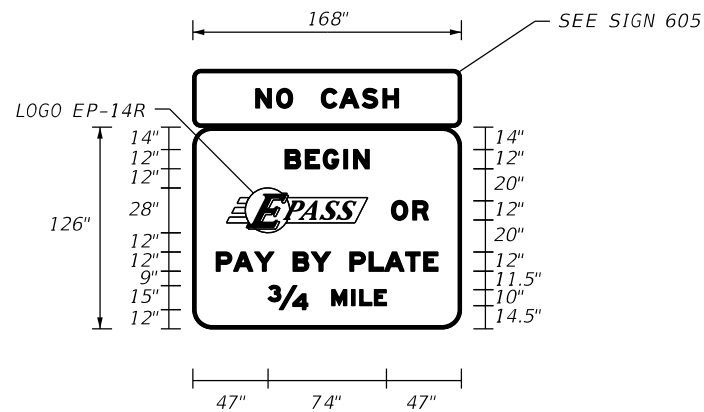


**TYPICAL PAVEMENT MARKING
 MAINLINE PLAZAS**

SHEET NO.
 54

SIGN NUMBER	604
QUANTITY	
WIDTH	14'-0" (168")
HEIGHT	10'-6" (126")
BORDER WIDTH	2"
BORDER RADII	12"
BORDER INSET	N/A
BACKGROUND COLOR	White
LEGEND & BORDER COLOR	Black
SHEETING	DG3

MOUNTING: GROUND MOUNT (GM-X)



NOTES:
EACH NUMBER WITHIN A FRACTION SHALL BE 10" EM, GIVING A TOTAL HEIGHT OF 15"
EPASS LOGO EP-14R
SEE EPASS LOGOS SHEETS

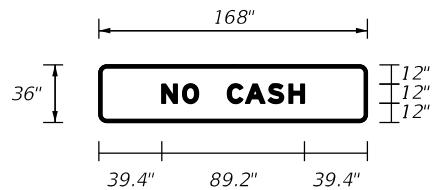
COPY		B	E	G	I	N												L
SPACE	57.8			52.5			57.7											52.5
COPY				O	R													L
SPACE	20.8	88.5	15		23		20.7											126.5
COPY		P	A	Y		B	Y		P	L	A	T	E					L
SPACE	14.7		36.1			12	23.4	12		55.1			14.7					138.6
COPY		3/4			M	I	L	E										L
SPACE	47	25	15			34		47										74
COPY																		
SPACE																		

USE: AET SIGNING

- NOTES TO CONSULTANT:
- HEIGHT OF SIGN 605 SHALL BE 3'-0" AND LEGEND SHALL BE 12" EM. WIDTH SHALL MATCH MAIN PANEL. INCREASE OR DECREASE SIDE MARGINS AS NEEDED.
 - MINIMUM WIDTH OF SIGN 606 SHALL BE 15'-0" FOR CROSSROAD OVERHEAD GUIDE SIGNS. HEIGHT SHALL REMAIN 4'-0" REGARDLESS OF WIDTH.
 - WHEN THE WHITE ON GREEN PORTION OF THE GUIDE SIGN IS WIDER THAN 15'-0", ELEMENTS WITHIN SIGN 606 SHALL REMAIN AS SHOWN. INCREASE SIDE MARGINS AS NECESSARY.
 - CONSULTANT TO DELETE THIS BOX AND NOTES PRIOR TO INCLUDING SHEET IN PLANS.

SIGN NUMBER	605
QUANTITY	
WIDTH	14'-0" (168")
HEIGHT	3'-0" (36")
BORDER WIDTH	2"
BORDER RADII	5"
BORDER INSET	N/A
BACKGROUND COLOR	Yellow
LEGEND & BORDER COLOR	Black
SHEETING	DG3

MOUNTING: GROUND MOUNT (GM-X)



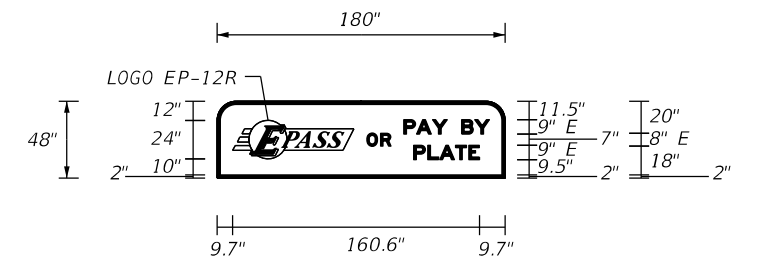
NOTES:
ONLY TO BE USED WHEN SPECIFIED.

COPY		N	O		C	A	S	H										L
SPACE	39.4		23	18			48.2		39.4									89.2
COPY																		
SPACE																		
COPY																		
SPACE																		
COPY																		
SPACE																		

NOTE: WIDTH - HORIZONTAL SPACING DIMENSIONS ARE IN INCHES.

SIGN NUMBER	606
QUANTITY	
WIDTH	15'-0" (180")
HEIGHT	4'-0" (48")
BORDER WIDTH	2"
BORDER RADII	12"
BORDER INSET	N/A
BACKGROUND COLOR	White
LEGEND & BORDER COLOR	Black
SHEETING	DG3

MOUNTING: OVERHEAD TRUSS (OT-X)



NOTES:
EPASS LOGO EP-12R
SEE EPASS LOGOS SHEETS

COPY				O	R		P	A	Y		B	Y						L
SPACE	9.7	75.9	8		15.1	8		27.1		9	17.5		9.7					160.6
COPY		P	L	A	T	E												L
SPACE	122.8					41.2			16									41.2
COPY																		
SPACE																		
COPY																		
SPACE																		

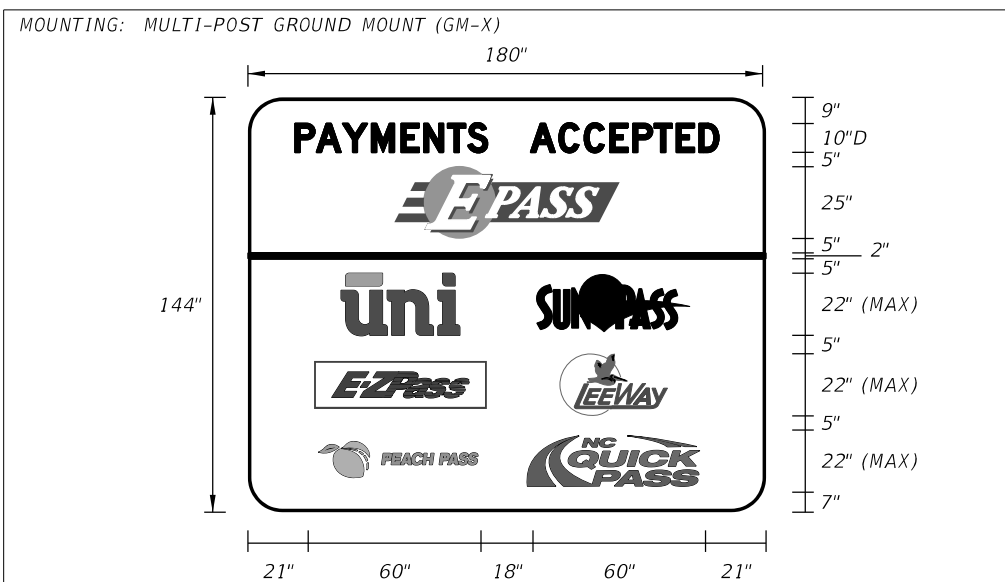
NOTE: END DIMENSIONS INCLUDE BORDER WIDTH, MARGIN AND BORDER RECESS.

W:\50088189\CFX Design Guidelines\CADD and Details\SPM\A2-02.dgn 3:51:28 PM 2/29/2024 zfincher

REVISIONS				ENGINEER OF RECORD FULL NAME, P.E. P.E. LICENSE NUMBER 99999 ENGINEER OF RECORD COMPANY NAME ENGINEER OF RECORD COMPANY STREET ENGINEER OF RECORD CITY, STATE AND ZIP CERTIFICATE OF AUTHORIZATION 00009999	SIGNING AND PAVEMENT MARKING DETAILS	ROAD NO.	PROJECT NO.		GUIDE SIGN WORKSHEET SIGNS 604 - 606	SHEET NO. 59
DATE	DESCRIPTION	DATE	DESCRIPTION							

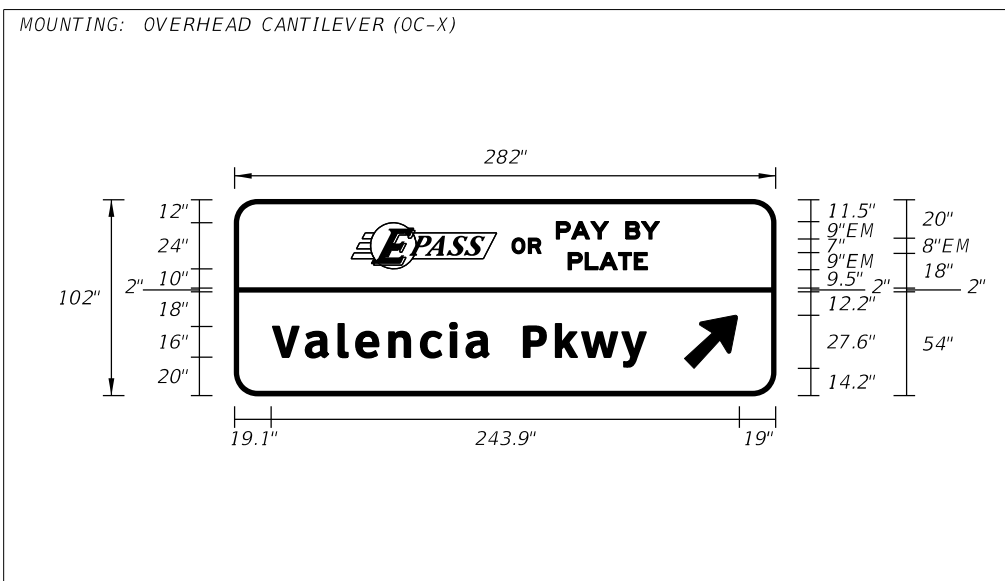
SIGN NUMBER	SIGN PA-1
QUANTITY	
WIDTH	15'-0" (180")
HEIGHT	12'-0" (144")
BORDER WIDTH	2"
BORDER RADII	12"
BORDER INSET	N/A
BACKGROUND COLOR	White
LEGEND & BORDER COLOR	Black/Other
SHEETING	DG3

NOTES:
 FOR EPASS LOGO DETAILS, SEE LOGO EP-12.5R
 FOR SUNPASS LOGO DETAILS, SEE LOGO SP-3
 FOR OTHER LOGOS, A DISK WITH THE GRAPHICS WILL BE PROVIDED FOR THE CONTRACTOR'S USE



COPY		P	A	Y	M	E	N	T	S	A	C	C	E	P	T	E	D	L
SPACE	16.4				66.8				15				65.3				16.5	147.1
COPY		EPASS																L
SPACE	51	78	51															138
COPY		Uni																L
SPACE	21	60	18	60	21													138
COPY		SUNPASS																L
SPACE	21	60	18	60	21													138
COPY		EZPASS																L
SPACE	21	60	18	60	21													138
COPY		IEEWAY																L
SPACE	21	60	18	60	21													138
COPY		PEACH PASS																L
SPACE	21	60	18	60	21													138

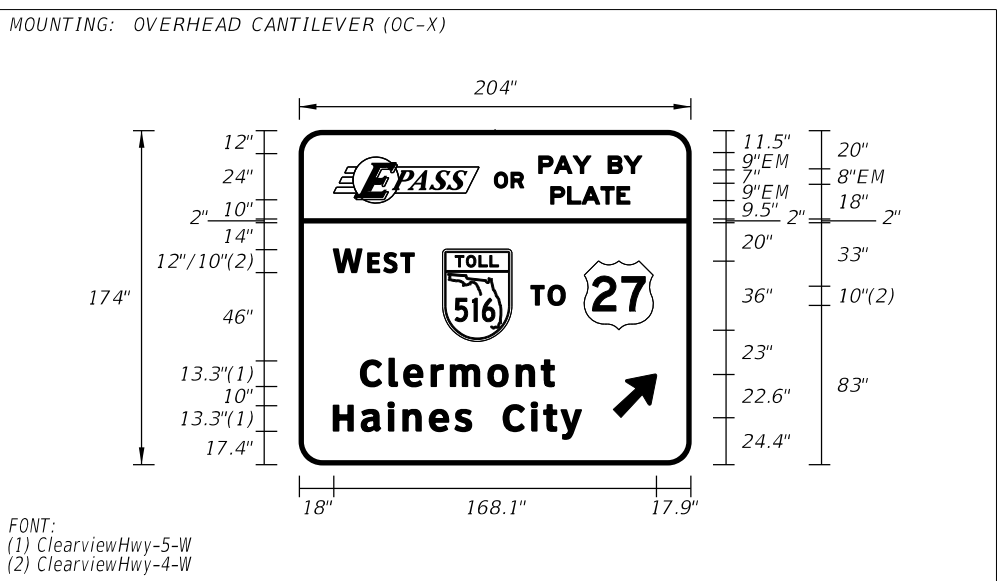
SIGN NUMBER	607
QUANTITY	
WIDTH	23'-6" (282")
HEIGHT	8'-6" (102")
BORDER WIDTH	2"
BORDER RADII	12"
BORDER INSET	N/A
BACKGROUND COLOR	Green
LEGEND & BORDER COLOR	White
SHEETING	DG3



COPY		EPASS		O	R		P	A	Y	B	Y							L
SPACE	60.7	75.9	8	15.1	8		27.1		9	17.5	60.7							160.6
COPY		P	L	A	T	E												L
SPACE	173.9			41.2			66.9											41.2
COPY		V	a	l	e	n	c	i	a	P	k	w	y					L
SPACE	19.1			112.6			20		63.7	20	27.6	19					243.9	
COPY																		L
SPACE																		L

NOTE: WIDTH - HORIZONTAL SPACING DIMENSIONS ARE IN INCHES.
 NOTE: END DIMENSIONS INCLUDE BORDER WIDTH, MARGIN AND BORDER RECESS.

SIGN NUMBER	608
QUANTITY	
WIDTH	17'-0" (204")
HEIGHT	14'-6" (174")
BORDER WIDTH	2"
BORDER RADII	12"
BORDER INSET	N/A
BACKGROUND COLOR	Green
LEGEND & BORDER COLOR	White
SHEETING	DG3



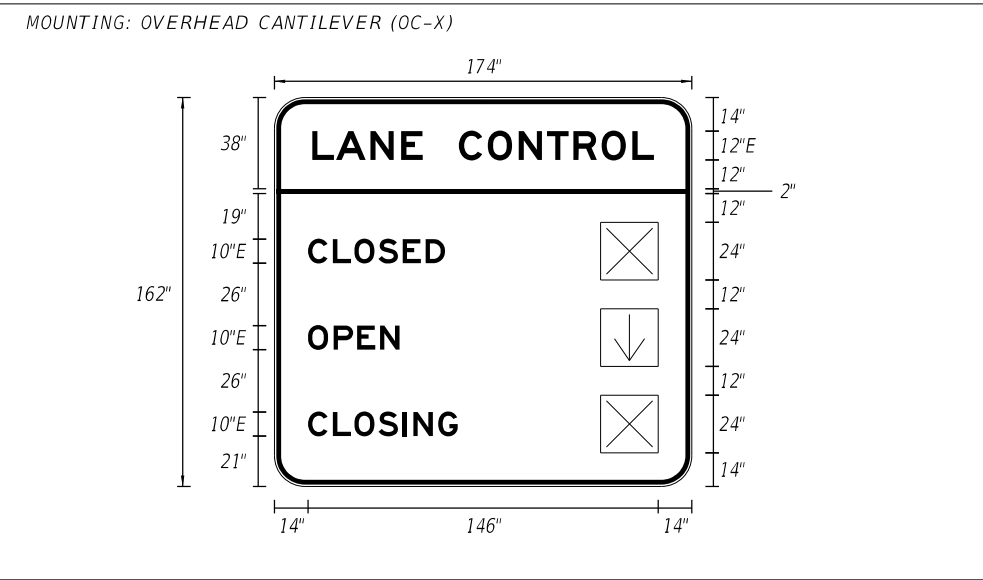
COPY		EPASS		O	R		P	A	Y	B	Y							L
SPACE	21.7	75.9	8	15.1	8		27.1		9	17.5	21.7							160.6
COPY		P	L	A	T	E												L
SPACE	134.9			41.2			27.9											41.2
COPY		W	E	S	T		516		T	O		27						L
SPACE	20.2			41.9			12	36	10	17.7	10	36	20.2				163.6	
COPY		C	l	e	r	m	o	n	t									L
SPACE	32			100.7						71.3								100.7
COPY		H	a	i	n	e	s		C	i	t	y						L
SPACE	18			71.8			16.6		40.5	16.6	22.6	17.9					168.1	

NOTE: WIDTH - HORIZONTAL SPACING DIMENSIONS ARE IN INCHES.
 NOTE: END DIMENSIONS INCLUDE BORDER WIDTH, MARGIN AND BORDER RECESS.

W:\50088189\CFX Design Guidelines\CADD and Details\SPM\A10-04.dgn
 3:51:29 PM
 2/29/2024
 zfincher

<table border="1"> <tr><th colspan="4">REVISIONS</th></tr> <tr><th>DATE</th><th>DESCRIPTION</th><th>DATE</th><th>DESCRIPTION</th></tr> <tr><td> </td><td> </td><td> </td><td> </td></tr> </table>		REVISIONS				DATE	DESCRIPTION	DATE	DESCRIPTION					ENGINEER OF RECORD FULL NAME, P.E. P.E. LICENSE NUMBER 99999 ENGINEER OF RECORD COMPANY NAME ENGINEER OF RECORD COMPANY STREET ENGINEER OF RECORD CITY, STATE AND ZIP CERTIFICATE OF AUTHORIZATION 00009999	SIGNING AND PAVEMENT MARKING DETAILS ROAD NO. _____ PROJECT NO. _____	CENTRAL FLORIDA EXPRESSWAY AUTHORITY	GUIDE SIGN WORKSHEET SIGNS PA-1, 607, 608	SHEET NO. 61
REVISIONS																		
DATE	DESCRIPTION	DATE	DESCRIPTION															

SIGN NUMBER	PTSU-1
QUANTITY	
WIDTH	14'-6" (174")
HEIGHT	13'-6" (162")
BORDER WIDTH	2"
BORDER RADII	12"
BORDER INSET	0.75"
BACKGROUND COLOR	White
LEGEND & BORDER COLOR	Black
SHEETING	DG3



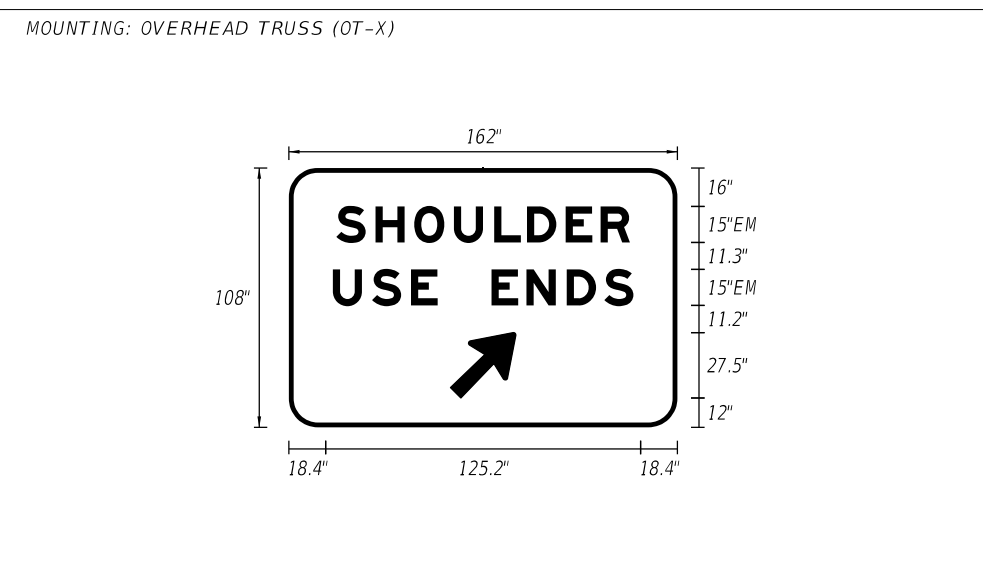
NOTES:
 BLACK ON WHITE W/ 2" BLACK BORDER ON SIDES AND 2" DIVIDER
 LANE CONTROL SYMBOLS SEE DETAILS, THIS SHEET

COPY		L	A	N	E	C	O	N	T	R	O	L							L						
SPACE	15.7	46.1				15	81.4											15.8						142.5	
COPY		C	L	O	S	E	D												L						
SPACE	14	57.1				64.9	24	14																	146
COPY		O	P	E	N														L						
SPACE	14	38.1				83.9	24	14																	146
COPY		C	L	O	S	I	N	G											L						
SPACE	14	62.4				59.6	24	14																	146
COPY																			L						
SPACE																			L						

USE: PART TIME SHOULDER USE (PTSU) SIGNS

EXAMPLES:
 LANE CONTROL SIGN
 SHOULDER USE SIGNS

SIGN NUMBER	PTSU-2
QUANTITY	
WIDTH	13'-6" (162")
HEIGHT	9'-0" (108")
BORDER WIDTH	2"
BORDER RADII	12"
BORDER INSET	N/A
BACKGROUND COLOR	Yellow
LEGEND & BORDER COLOR	Black
SHEETING	DG3

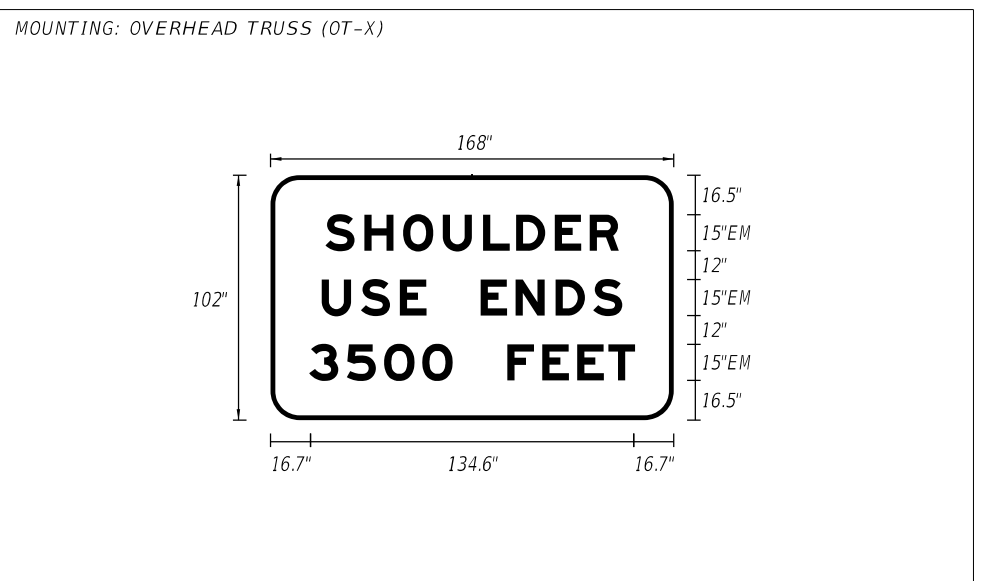


NOTES:

COPY		S	H	O	U	L	D	E	R									L						
SPACE	19.8	122.3											19.9							122.3				
COPY		U	S	E	E	N	D	S										L						
SPACE	18.4	43.6	22.5	59.1				18.4																125.2
COPY																		L						
SPACE	67.2	27.5	67.3																27.5					
COPY																		L						
SPACE																		L						

NOTE: 10% EXTRA INTER-LETTER SPACE IS INCLUDED ON PANELS WITH BLACK LEGEND ON YELLOW BORDER.

SIGN NUMBER	PTSU-3
QUANTITY	
WIDTH	14'-0" (168")
HEIGHT	8'-6" (102")
BORDER WIDTH	2"
BORDER RADII	12"
BORDER INSET	N/A
BACKGROUND COLOR	Yellow
LEGEND & BORDER COLOR	Black
SHEETING	DG3



NOTES:

COPY		S	H	O	U	L	D	E	R									L								
SPACE	22.8	122.3											22.9							122.3						
COPY		U	S	E	E	N	D	S										L								
SPACE	21.4	43.6	22.5	59.1				21.4																125.2		
COPY		3	5	0	0				F	E	E	T							L							
SPACE	16.1	59.8				22.9	53.2				16															134.6
COPY																		L								
SPACE																		L								

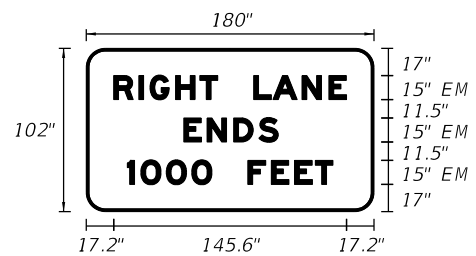
NOTE: WIDTH - HORIZONTAL SPACING DIMENSIONS ARE IN INCHES. END DIMENSIONS INCLUDE BORDER WIDTH, MARGIN AND BORDER RECESS.

W:\50088189\CFX Design Guidelines\CADD and Details\SPM\A2-09.dgn 3:51:29 PM 2/29/2024 zfincher

REVISIONS				ENGINEER OF RECORD FULL NAME, P.E. P.E. LICENSE NUMBER 99999 ENGINEER OF RECORD COMPANY NAME ENGINEER OF RECORD COMPANY STREET ENGINEER OF RECORD CITY, STATE AND ZIP CERTIFICATE OF AUTHORIZATION 00009999	SIGNING AND PAVEMENT MARKING DETAILS		CENTRAL FLORIDA EXPRESSWAY AUTHORITY	GUIDE SIGN WORKSHEET PTSU SIGNS	SHEET NO. 62
DATE	DESCRIPTION	DATE	DESCRIPTION		ROAD NO.	PROJECT NO.			

SIGN NUMBER	701
QUANTITY	
WIDTH	15'-0" (180")
HEIGHT	8'-6" (102")
BORDER WIDTH	2"
BORDER RADII	12"
BORDER INSET	N/A
BACKGROUND COLOR	Yellow
LEGEND & BORDER COLOR	Black
SHEETING	DG3

MOUNTING: OVERHEAD CANTILEVER (OC-X)



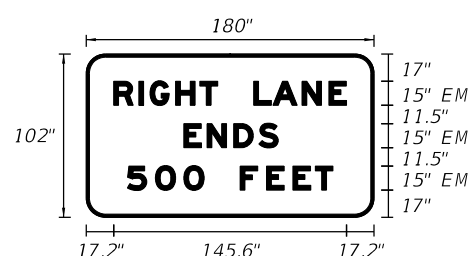
NOTES:

COPY		R	I	G	H	T		L	A	N	E										L
SPACE	17.2			65			22.5		58.1			17.2									145.6
COPY		E	N	D	S																L
SPACE	60.4			59.1		60.5															59.1
COPY		1	0	0	0		F	E	E	T											L
SPACE	25.7			52.8		22.5		53.3			25.7										128.6
COPY																					
SPACE																					
COPY																					
SPACE																					

USE: OVERHEAD LANE ENDS SIGNING

SIGN NUMBER	702
QUANTITY	
WIDTH	15'-0" (180")
HEIGHT	8'-6" (102")
BORDER WIDTH	2"
BORDER RADII	12"
BORDER INSET	N/A
BACKGROUND COLOR	Yellow
LEGEND & BORDER COLOR	Black
SHEETING	DG3

MOUNTING: OVERHEAD CANTILEVER (OC-X)



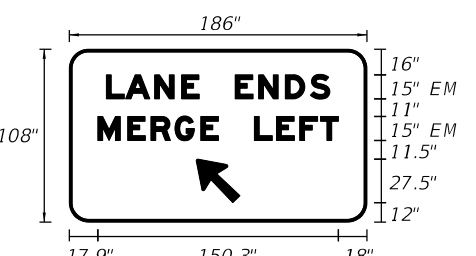
NOTES:

COPY		R	I	G	H	T		L	A	N	E										L
SPACE	17.2			65			22.5		58.1			17.2									145.6
COPY		E	N	D	S																L
SPACE	60.4			59.1		60.5															59.1
COPY		5	0	0			F	E	E	T											L
SPACE	25.7			52.8		22.5		53.3			25.7										128.6
COPY																					
SPACE																					

NOTE: WIDTH - HORIZONTAL SPACING DIMENSIONS ARE IN INCHES.

SIGN NUMBER	703
QUANTITY	
WIDTH	15'-6" (186")
HEIGHT	9'-0" (108")
BORDER WIDTH	2"
BORDER RADII	12"
BORDER INSET	N/A
BACKGROUND COLOR	Yellow
LEGEND & BORDER COLOR	Black
SHEETING	DG3

MOUNTING: OVERHEAD CANTILEVER (OC-X)



NOTES:

COPY		L	A	N	E		E	N	D	S											L
SPACE	23.1			58.1			22.5		59.1		23.2										139.7
COPY		M	E	R	G	E		L	E	F	T										L
SPACE	17.8			75.4			22.5		52.4		17.9										150.3
COPY																					L
SPACE	79.2	27.5	79.3																		27.5
COPY																					
SPACE																					

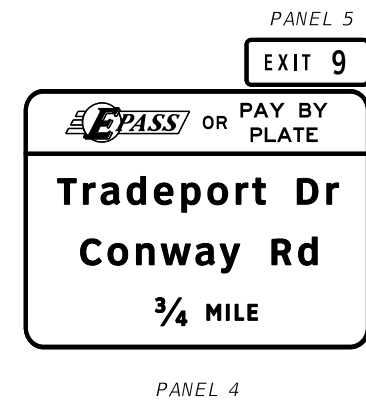
NOTE: END DIMENSIONS INCLUDE BORDER WIDTH, MARGIN AND BORDER RECESS.

W:\50088189\CFX Design Guidelines\CADD and Details\SPM\A8-05.dgn 3:51:30 PM 2/29/2024 zfincher

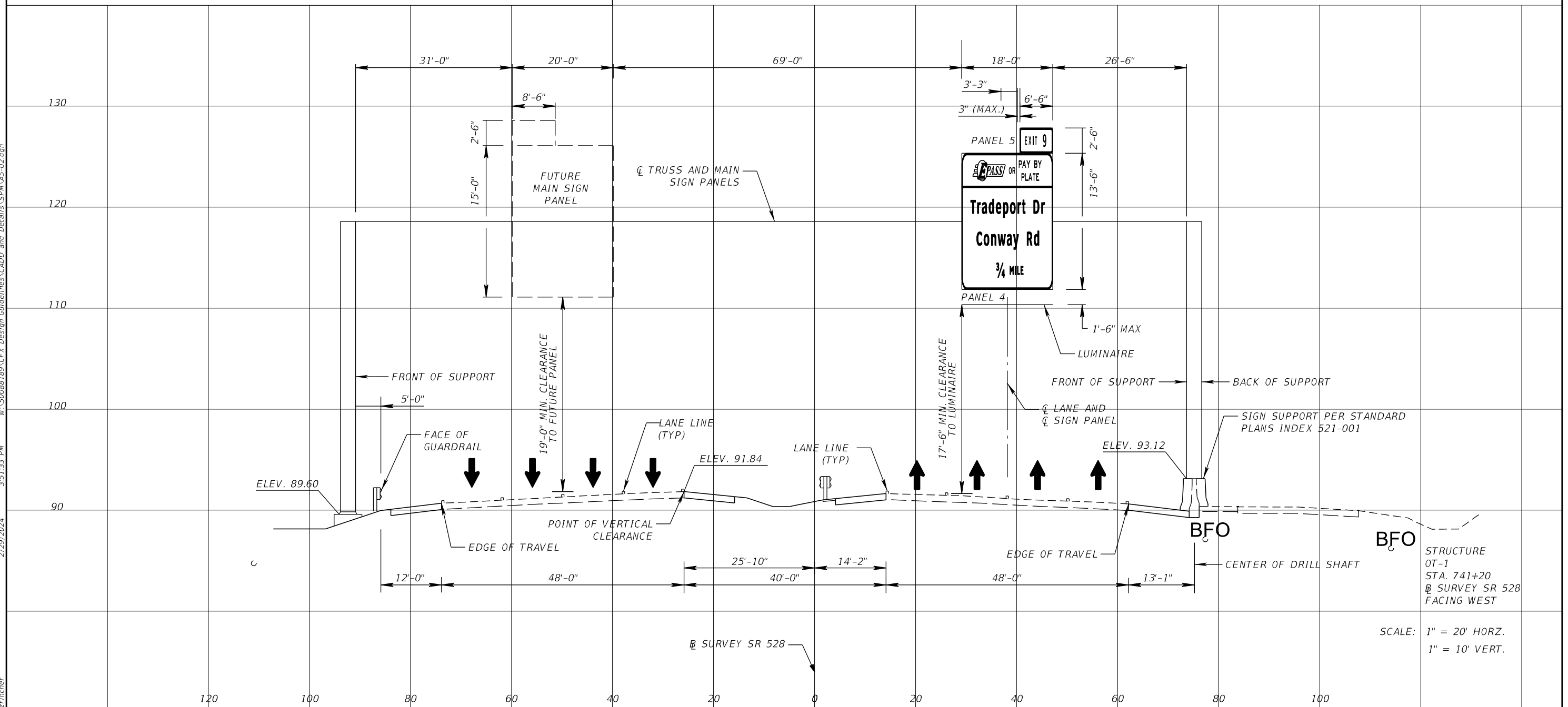
REVISIONS		ENGINEER OF RECORD FULL NAME, P.E. P.E. LICENSE NUMBER 99999 ENGINEER OF RECORD COMPANY NAME ENGINEER OF RECORD COMPANY STREET ENGINEER OF RECORD CITY, STATE AND ZIP CERTIFICATE OF AUTHORIZATION 00009999	SIGNING AND PAVEMENT MARKING DETAILS		GUIDE SIGN WORKSHEET SIGNS 701 - 703	SHEET NO. 64
DATE	DESCRIPTION					

NOTES TO CONSULTANT:

1. ASSUMED DATUM MAY ONLY BE USED FOR PROJECTS LIMITED TO SIGNING.
2. ACTUAL ELEVATIONS ARE REQUIRED FOR NEW ROADWAY CONSTRUCTION, INCLUDING SIGN STRUCTURES OUTSIDE THE LIMITS OF CONSTRUCTION. APPLIES TO PROPOSED SIGN STRUCTURES AND EXISTING TO BE MODIFIED. DOES NOT APPLY WHEN SIGNS ON EXISTING STRUCTURES ARE TO BE OVERLAID.
3. THIS SHEET PROVIDED AS AN EXAMPLE ONLY AND IS NOT FOR USE IN ACTUAL PLANS. ALL DETAILS ON THIS SHEET SHOULD BE PROJECT SPECIFIC.
4. IF EXIT NUMBER PLAQUES HAVE SEPARATE UNIQUE PANEL NUMBERS, ADD TO SHEET.



W:\50088189\CFX Design Guidelines\CADD and Details\SPM\AS-02.dgn 3:51:33 PM 2/29/2024 zfincher



SCALE: 1" = 20' HORZ.
1" = 10' VERT.

STRUCTURE OT-1
STA. 741+20
SURVEY SR 528
FACING WEST

REVISIONS			
DATE	DESCRIPTION	DATE	DESCRIPTION

ENGINEER OF RECORD FULL NAME, P.E.
P.E. LICENSE NUMBER 99999
ENGINEER OF RECORD COMPANY NAME
ENGINEER OF RECORD COMPANY STREET
ENGINEER OF RECORD CITY, STATE AND ZIP
CERTIFICATE OF AUTHORIZATION 00009999

SIGNING AND PAVEMENT MARKING DETAILS	
ROAD NO.	PROJECT NO.

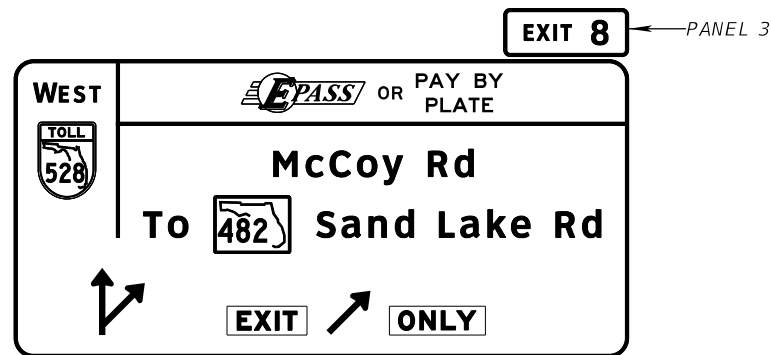


SIGN CROSS SECTIONS
OT-1

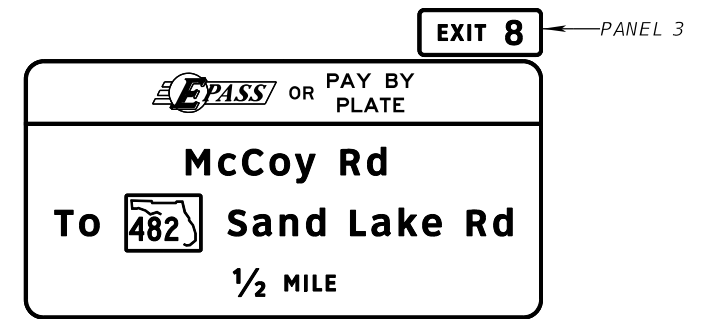
SHEET NO.
71

NOTES TO CONSULTANT:

1. ASSUMED DATUM MAY ONLY BE USED FOR PROJECTS LIMITED TO SIGNING.
2. ACTUAL ELEVATIONS ARE REQUIRED FOR NEW ROADWAY CONSTRUCTION, INCLUDING SIGN STRUCTURES OUTSIDE THE LIMITS OF CONSTRUCTION. APPLIES TO PROPOSED SIGN STRUCTURES AND EXISTING TO BE MODIFIED. DOES NOT APPLY WHEN SIGNS ON EXISTING STRUCTURES ARE TO BE OVERLAID.
3. THIS SHEET PROVIDED AS AN EXAMPLE ONLY AND IS NOT FOR USE IN ACTUAL PLANS. ALL DETAILS ON THIS SHEET SHOULD BE PROJECT SPECIFIC.
4. IF EXIT NUMBER PLAQUES HAVE SEPARATE UNIQUE PANEL NUMBERS, ADD TO SHEET.
5. HORIZONTAL CLEARANCE MEASURED TO NEAR EDGE OF FOUNDATION WHEN EXTENSION ABOVE GROUND EXCEEDS 3".

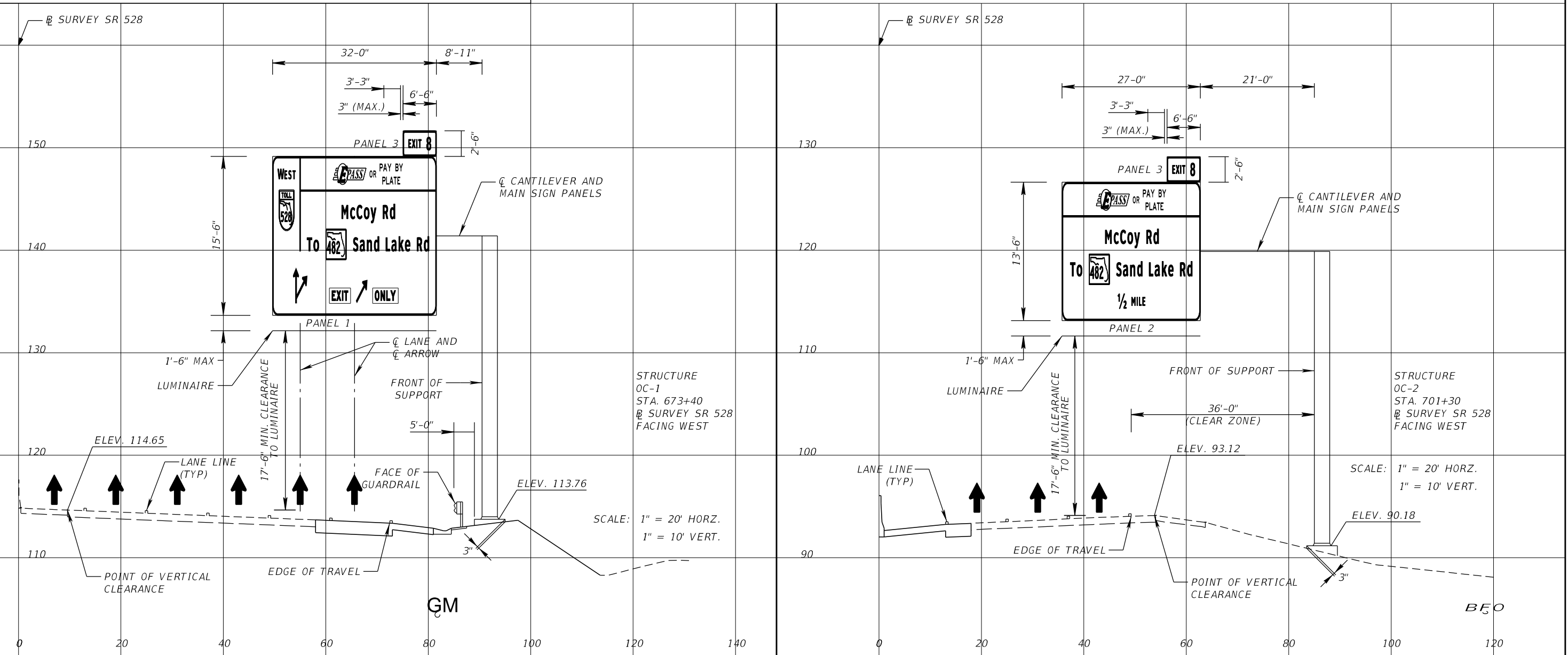


PANEL 1



PANEL 2

2/29/2024 3:51:33 PM W:\50088189\CFX Design Guidelines\CADD and Details\SPM\AS-01.dgn zfincher



SCALE: 1" = 20' HORZ.
1" = 10' VERT.

SCALE: 1" = 20' HORZ.
1" = 10' VERT.

REVISIONS			
DATE	DESCRIPTION	DATE	DESCRIPTION

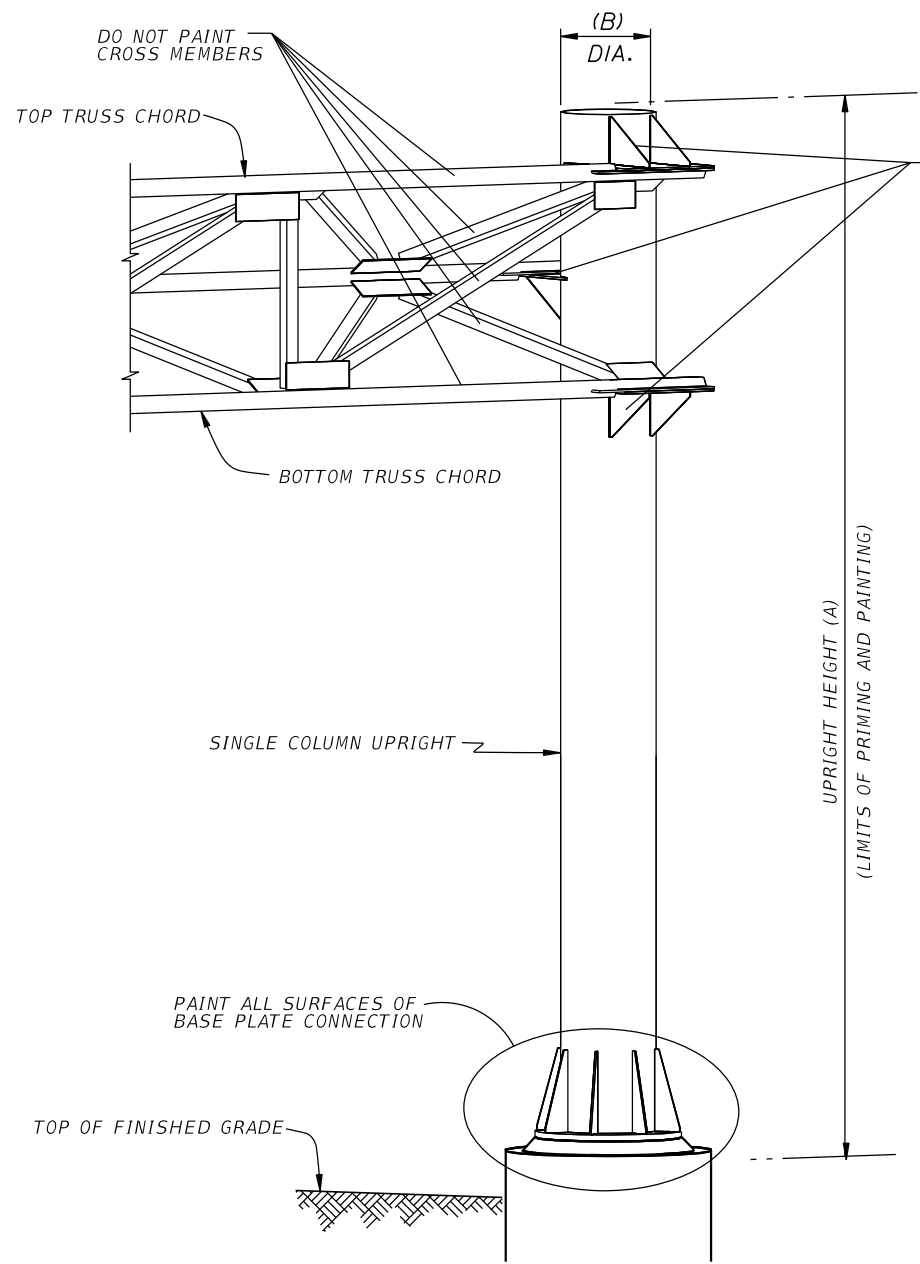
ENGINEER OF RECORD FULL NAME, P.E.
P.E. LICENSE NUMBER 99999
ENGINEER OF RECORD COMPANY NAME
ENGINEER OF RECORD COMPANY STREET
ENGINEER OF RECORD CITY, STATE AND ZIP
CERTIFICATE OF AUTHORIZATION 00009999

SIGNING AND PAVEMENT MARKING DETAILS	
ROAD NO.	PROJECT NO.



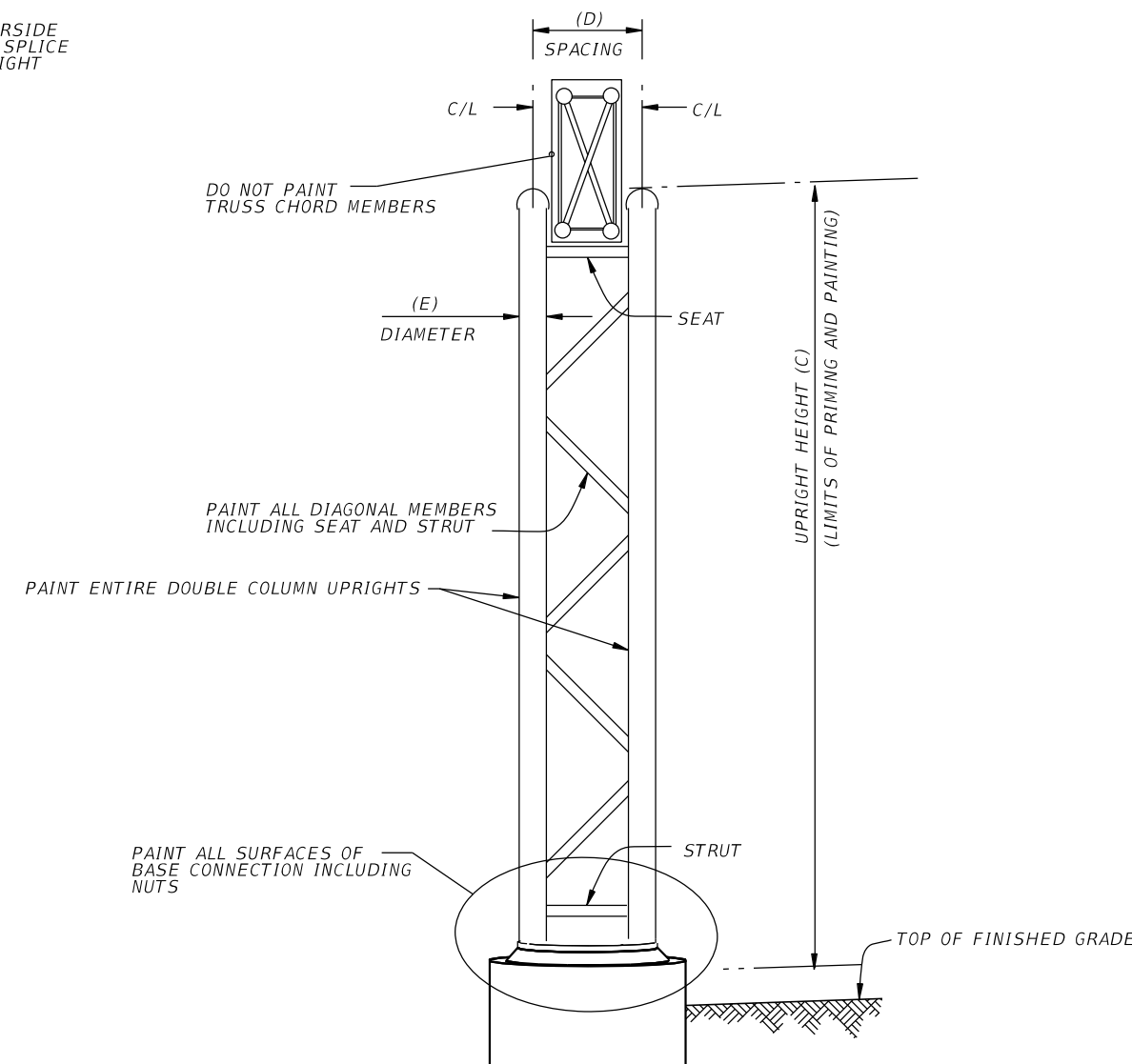
SIGN CROSS SECTIONS
OC-1, OC-2

SHEET NO.
72



SINGLE COLUMN SIGN UPRIGHT DETAIL
N.T.S.

PAINT ALL SURFACES, INCLUDING UNDERSIDE OF CONNECTION PLATES, FLANGES AND SPLICE PLATES OF TRUSS CONNECTION TO UPRIGHT



DOUBLE COLUMN SIGN UPRIGHT DETAIL
N.T.S.

TABLE OF UPRIGHT PAINTING VARIABLES

STRUCTURE NUMBER	STATION	STRUCTURE TYPE	SINGLE COLUMN UPRIGHT				DOUBLE COLUMN UPRIGHT								NO. UPRIGHTS PER STR.				
			HEIGHT (A)		DIAMETER (B)		HEIGHT (C)		SPACING (D)		DIAMETER (E)		DIAGONALS						
			LT	RT	LT	RT	LT	RT	LT	RT	LT	RT	LT	RT		LT	RT	NO.	DIA.
OC-1	3+00	CANTILEVER		31'-4"		24"													1
OT-3	11+00	SPAN TRUSS	38'-1 7/8"	37'-1 3/4"	36"	36"													2
EXISTING	19+00	SPAN TRUSS					26'-9"	27'-6"	5'-9"	5'-9"	14"	14"	6	7	4.5"	4.5"			2

NOTES TO CONSULTANT:

- CONSULTANT SHALL DETERMINE ALL DATA IN TABLE OF VARIABLES IF NOT PROVIDED IN DESIGN OR SHOP DRAWINGS. DATA SHOWN IS FOR EXAMPLE PURPOSES ONLY.
- NUMBER OF DIAGONALS SHOWN IN DOUBLE COLUMN UPRIGHT DETAIL FOR GRAPHIC PURPOSES ONLY.
- DELETE THIS BOX WITH NOTES PRIOR TO INCLUDING SHEET IN PLANS.

W:\50088189\CFX Design Guidelines\CADD and Details\SPM\AS-05.dgn 3:51:34 PM 2/29/2024 zfincher

REVISIONS			
DATE	DESCRIPTION	DATE	DESCRIPTION

ENGINEER OF RECORD FULL NAME, P.E.
P.E. LICENSE NUMBER 99999
ENGINEER OF RECORD COMPANY NAME
ENGINEER OF RECORD COMPANY STREET
ENGINEER OF RECORD CITY, STATE AND ZIP
CERTIFICATE OF AUTHORIZATION 00009999

SIGNING AND PAVEMENT MARKING DETAILS

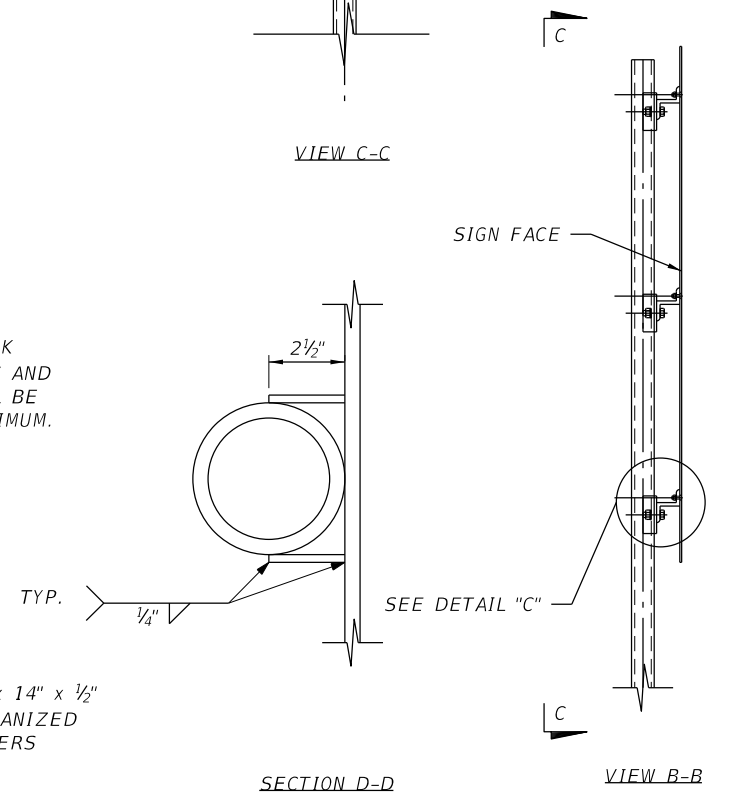
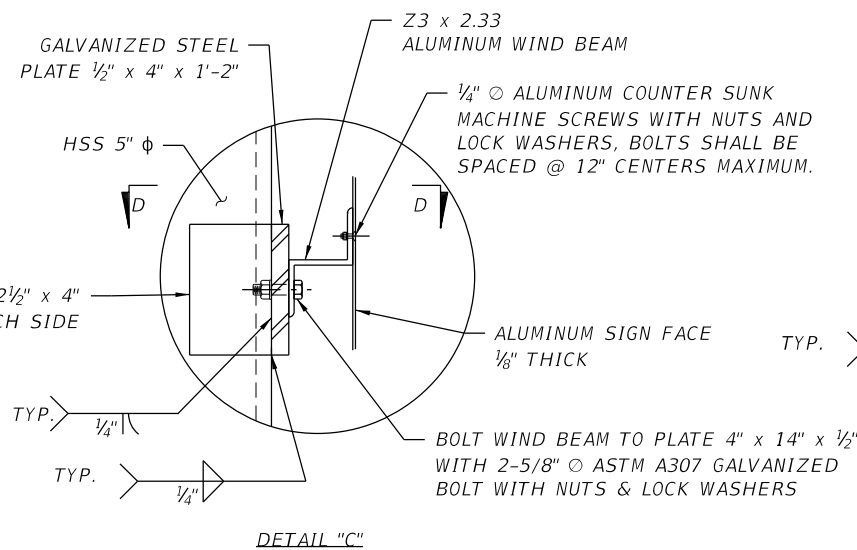
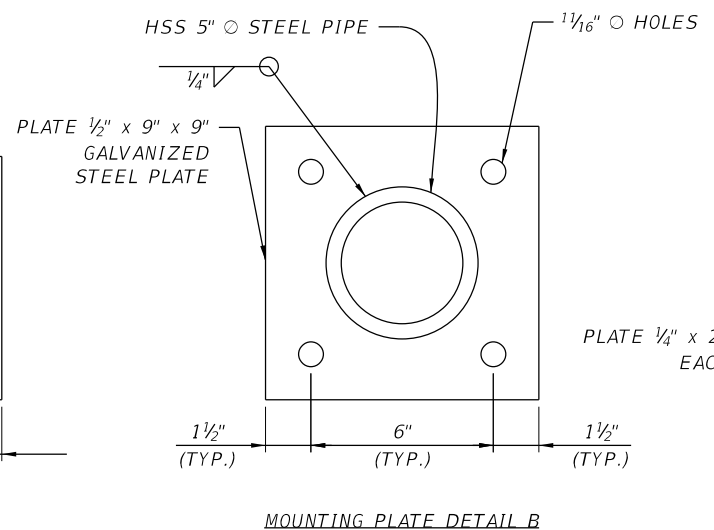
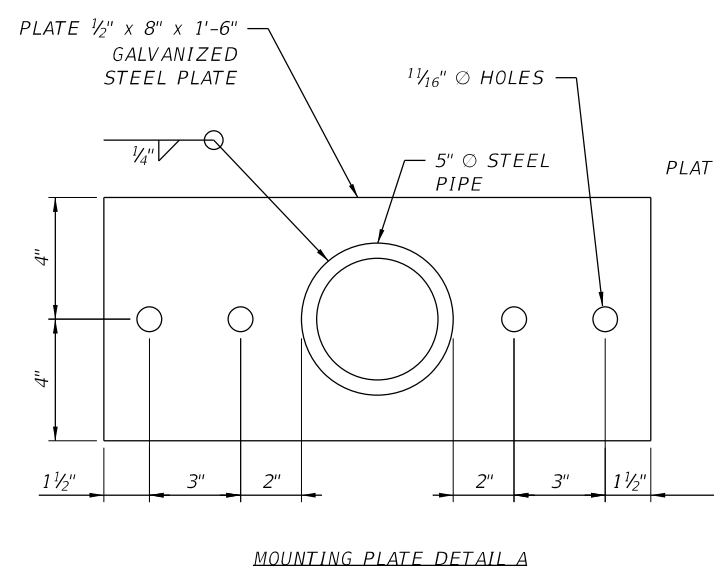
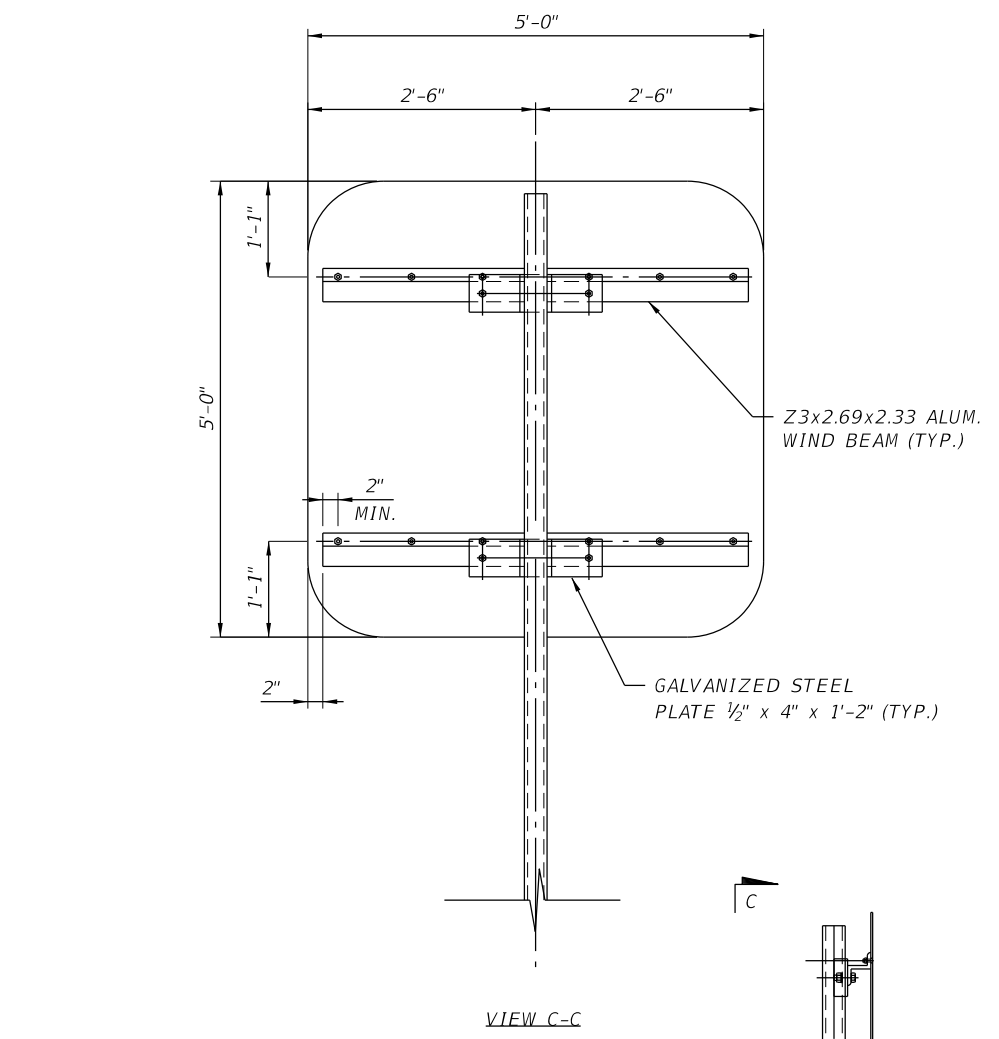
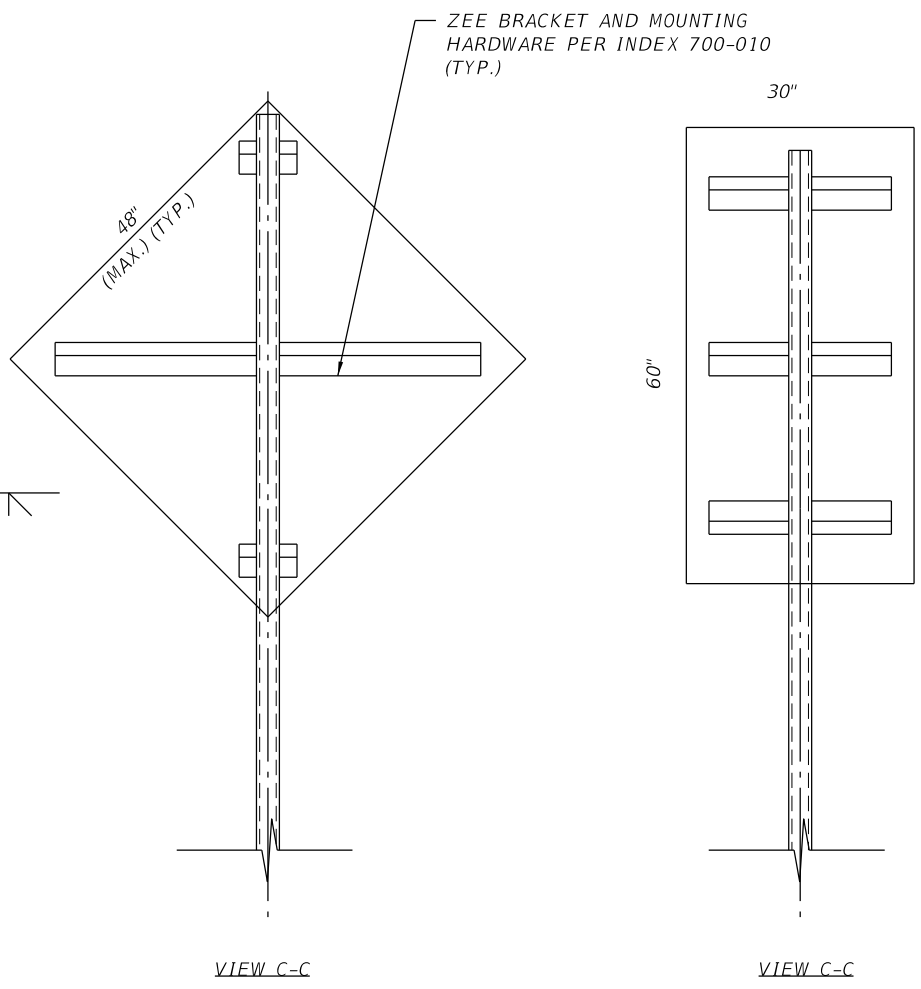
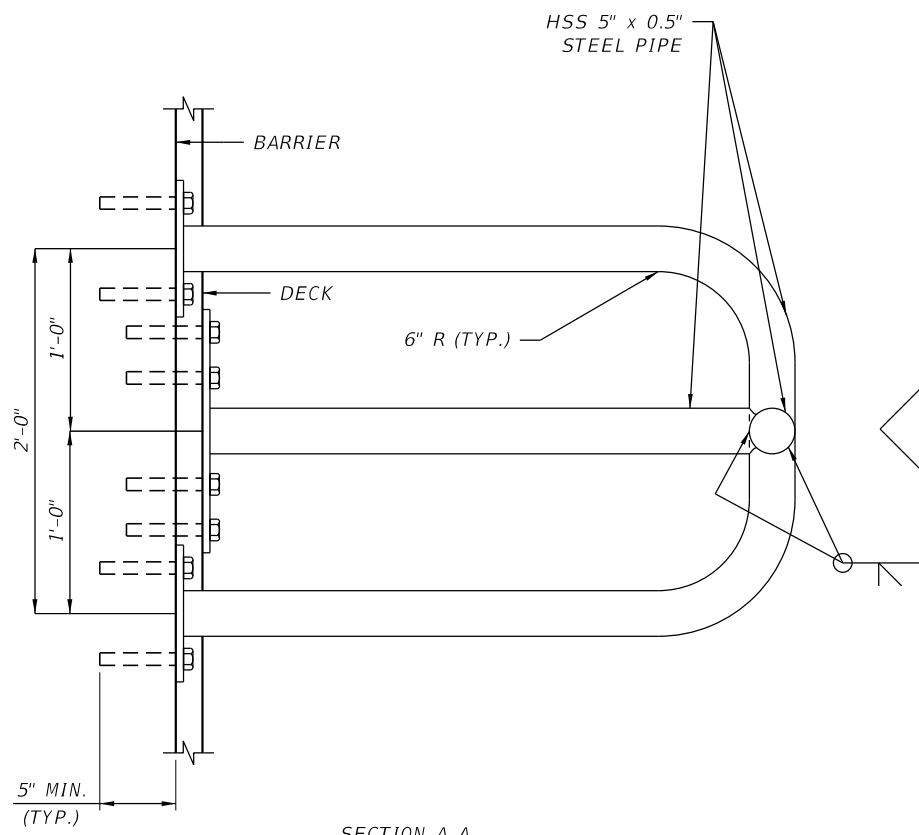
ROAD NO.	PROJECT NO.



SIGN UPRIGHT PAINTING

SHEET NO.
74

2/29/2024 3:51:36 PM W:\50088189\CFX Design Guidelines\CADD and Details\SPM\AS-07.dgn zfincher



REVISIONS			
DATE	DESCRIPTION	DATE	DESCRIPTION

ENGINEER OF RECORD FULL NAME, P.E.
 P.E. LICENSE NUMBER 99999
 ENGINEER OF RECORD COMPANY NAME
 ENGINEER OF RECORD COMPANY STREET
 ENGINEER OF RECORD CITY, STATE AND ZIP
 CERTIFICATE OF AUTHORIZATION 00009999

SIGNING AND PAVEMENT MARKING DETAILS	
ROAD NO.	PROJECT NO.

CENTRAL FLORIDA EXPRESSWAY AUTHORITY

BARRIER MOUNTED SIGN DETAILS (2 OF 2)

SHEET NO. 78

